

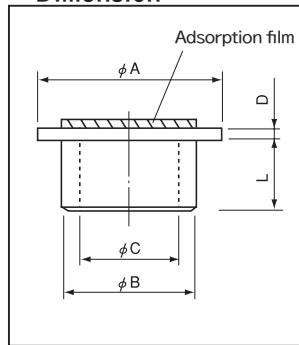
Through hole tap

**THB series**

- A chip mounter can be used for this spacer.
- A spacer can be fit on a PC board just by automatically loading it on the PC board and carrying out reflow.
- Insert a screw from the part face and fit it to the threaded hole on the chassis to fit and raise the PC board above the chassis.
- Tape-and-reel has an adsorption film. Please remove by pushing it from the opposite side after reflow.
- The jig for removing adsorption films (Part No.: TH-JIG) is available.
- Material: Brass
- Finish: Tin plating over nickel base
- Adaptive printed board thickness: t1.6  
(There is no problem if it is used for other board thickness.)
- Please use the automatic mounter of automatic recognition type.



■ Dimension



■ Example of usage

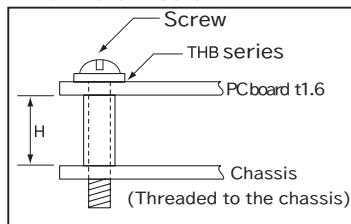


Condition of fitting the PC board to the chassis

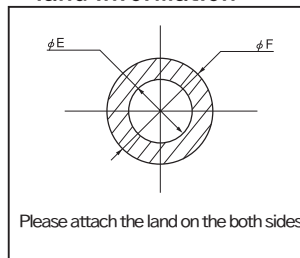
■ Part No.

Part No.	A	B	C	D	L	H	quantity per reel
THB-1.5-2	4.5	3.0	2.1	0.3	1.5	0	400 pcs
THB-2.1-2	4.5	3.0	2.1	0.3	2.1	0.5	400 pcs
THB-2.6-2	4.5	3.0	2.1	0.3	2.6	1.0	400 pcs
THB-3.1-2	4.5	3.0	2.1	0.3	3.1	1.5	400 pcs
THB-3.6-2	4.5	3.0	2.1	0.3	3.6	2.0	400 pcs
THB-4.1-2	4.5	3.0	2.1	0.3	4.1	2.5	400 pcs
THB-4.6-2	4.5	3.0	2.1	0.3	4.6	3.0	200 pcs
THB-5.1-2	4.5	3.0	2.1	0.3	5.1	3.5	200 pcs
THB-5.6-2	4.5	3.0	2.1	0.3	5.6	4.0	200 pcs
THB-6.1-2	4.5	3.0	2.1	0.3	6.1	4.5	200 pcs
THB-6.6-2	4.5	3.0	2.1	0.3	6.6	5.0	200 pcs
THB-1.5-2.6	5.0	3.6	2.7	0.3	1.5	0	400 pcs
THB-2.1-2.6	5.0	3.6	2.7	0.3	2.1	0.5	400 pcs
THB-2.6-2.6	5.0	3.6	2.7	0.3	2.6	1.0	400 pcs
THB-3.1-2.6	5.0	3.6	2.7	0.3	3.1	1.5	400 pcs
THB-3.6-2.6	5.0	3.6	2.7	0.3	3.6	2.0	400 pcs
THB-4.1-2.6	5.0	3.6	2.7	0.3	4.1	2.5	400 pcs
THB-4.6-2.6	5.0	3.6	2.7	0.3	4.6	3.0	200 pcs
THB-5.1-2.6	5.0	3.6	2.7	0.3	5.1	3.5	200 pcs
THB-5.6-2.6	5.0	3.6	2.7	0.3	5.6	4.0	200 pcs
THB-6.1-2.6	5.0	3.6	2.7	0.3	6.1	4.5	200 pcs
THB-6.6-2.6	5.0	3.6	2.7	0.3	6.6	5.0	200 pcs
THB-1.5-3	5.5	4.0	3.1	0.3	1.5	0	400 pcs
THB-2.1-3	5.5	4.0	3.1	0.3	2.1	0.5	400 pcs
THB-2.6-3	5.5	4.0	3.1	0.3	2.6	1.0	400 pcs
THB-3.1-3	5.5	4.0	3.1	0.3	3.1	1.5	400 pcs
THB-3.6-3	5.5	4.0	3.1	0.3	3.6	2.0	400 pcs
THB-4.1-3	5.5	4.0	3.1	0.3	4.1	2.5	400 pcs
THB-4.6-3	5.5	4.0	3.1	0.3	4.6	3.0	200 pcs
THB-5.1-3	5.5	4.0	3.1	0.3	5.1	3.5	200 pcs
THB-5.6-3	5.5	4.0	3.1	0.3	5.6	4.0	200 pcs
THB-6.1-3	5.5	4.0	3.1	0.3	6.1	4.5	200 pcs
THB-6.6-3	5.5	4.0	3.1	0.3	6.6	5.0	200 pcs
THB-1.5-4	7.0	5.5	4.3	0.5	1.5	0	350 pcs
THB-2.1-4	7.0	5.5	4.3	0.5	2.1	0.5	350 pcs
THB-2.6-4	7.0	5.5	4.3	0.5	2.6	1.0	250 pcs
THB-3.1-4	7.0	5.5	4.3	0.5	3.1	1.5	250 pcs
THB-3.6-4	7.0	5.5	4.3	0.5	3.6	2.0	200 pcs
THB-4.1-4	7.0	5.5	4.3	0.5	4.1	2.5	200 pcs
THB-4.6-4	7.0	5.5	4.3	0.5	4.6	3.0	450 pcs
THB-5.1-4	7.0	5.5	4.3	0.5	5.1	3.5	450 pcs
THB-5.6-4	7.0	5.5	4.3	0.5	5.6	4.0	300 pcs
THB-6.1-4	7.0	5.5	4.3	0.5	6.1	4.5	300 pcs
THB-6.6-4	7.0	5.5	4.3	0.5	6.6	5.0	250 pcs

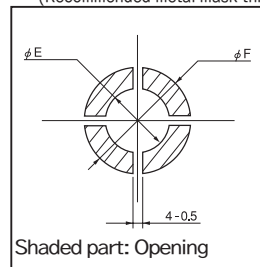
■ Condition of fitting the PC board to the chassis



■ Recommended land information



■ Recommended metal mask  
(Recommended metal mask thickness: 150 μm to 200 μm)



Part No.	E	F
THB-□-2	3.2	5.5
THB-□-2.6	3.8	6.0
THB-□-3	4.2	6.5
THB-□-4	5.7	8.0

■ To order bulk product

THB-1.5-2-B

↑ Please specify B.

- 100pcs/pack
- Adsorption films are not put on the bulk products.

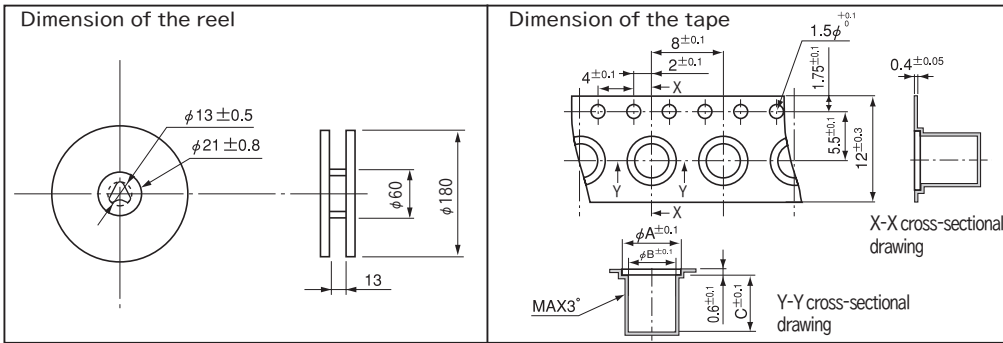
\* The dimension H is the height between the PC board (t1.6) and the chassis.

▲ Use of a through hole tap is limited to a through hole board.  
(It is impossible to use it for a one-sided board and non through hole board.)

Dimension of the through hole tap reel

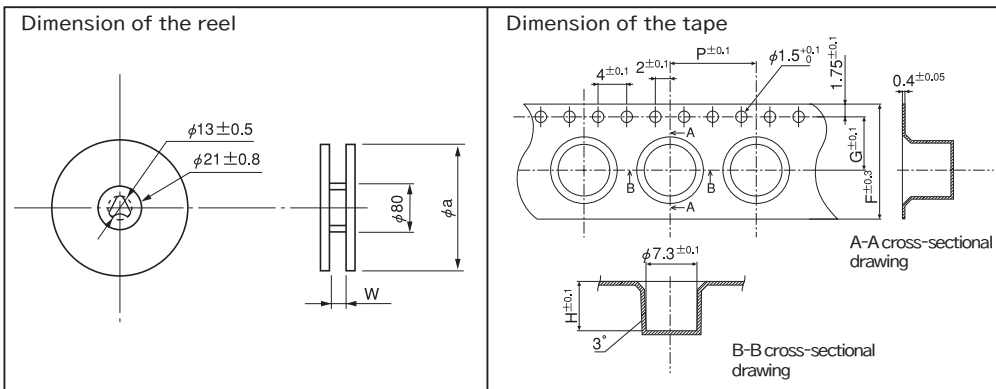
**THB series**

■ Dimension of the reel (THB-□-2, THB-□-2.6, THB-□-3)



		C
THB-1.5 to 4.1-□		4.3
THB-4.6 to 6.6-□		6.8
	A	B
THB-□-2	4.8	3.3
THB-□-2.6	5.3	3.9
THB-□-3	5.8	4.3

■ Dimension of the reel (THB-□-4)



Part No.	a	W	H	F	G	P
THB-1.5-4	180	17.5	3.0	16	7.5	12
THB-2.1-4	180	17.5	3.0	16	7.5	12
THB-2.6-4	180	17.5	4.0	16	7.5	12
THB-3.1-4	180	17.5	4.0	16	7.5	12
THB-3.6-4	180	17.5	5.0	16	7.5	12
THB-4.1-4	180	17.5	5.0	16	7.5	12
THB-4.6-4	254	17.5	6.0	16	7.5	12
THB-5.1-4	254	17.5	6.0	16	7.5	12
THB-5.6-4	254	25.5	7.0	24	11.5	16
THB-6.1-4	254	25.5	7.0	24	11.5	16
THB-6.6-4	254	25.5	8.0	24	11.5	16