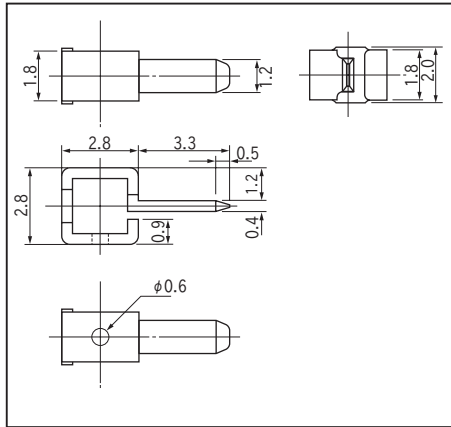


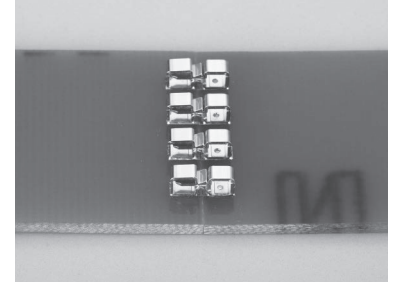
Parallel fitting pin for surface mounting

Part No.: **KO-2-1**

- This is a male pin for connecting PC boards in parallel.
- The following socket KC-2-1 is adaptive.
- Material: Phosphor bronze
- Finish: Gold plating over nickel base
- **Specification**
(when connecting KO-2-1 and KC-2-1)
- Rated current: 10A
- Contact resistance: 20m Ω or less
- Insertion / removal durability : 100 cycles
- Operating temperature range: - 40 to + 125°C



■ **Example of usage**

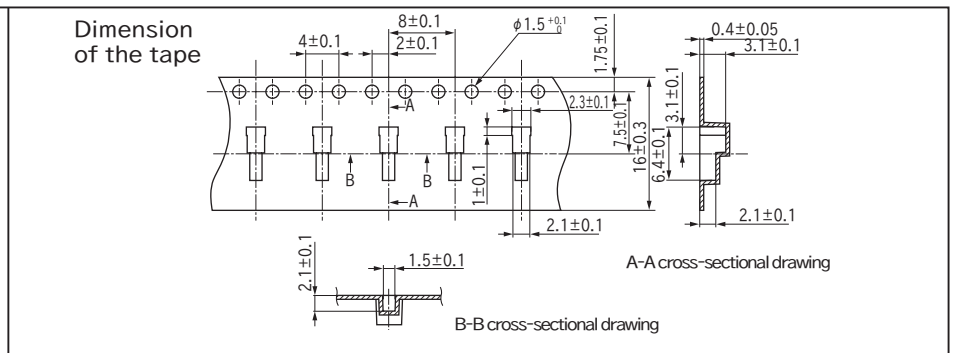
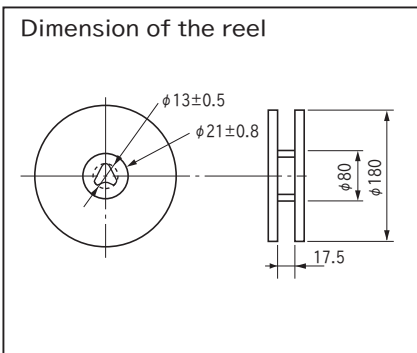
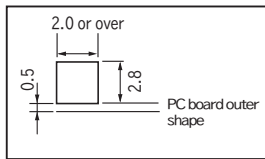


Combination of KO-2-1 and KC-2-1

■ **Part No.**

| Part No. | Package |
|----------|---------------------|
| KO-2-1 | Bulk (1000pcs/pack) |
| KO-2-1-T | Reel (500pcs/reel) |

■ **Recommended land information**

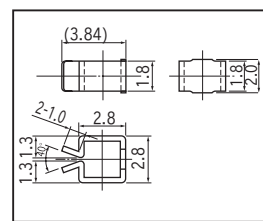
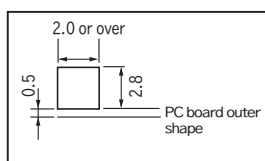


Parallel fitting socket for surface mounting

Part No.: **KC-2-1**

- By combining with KO-2-1 described above, PC boards can be connected in parallel.
- Material: Phosphor bronze
- Finish: Gold plating over nickel base

■ **Recommended land information**



■ **Part No.**

| Part No. | Package |
|----------|---------------------|
| KC-2-1 | Bulk (1000pcs/pack) |
| KC-2-1-T | Reel (500pcs/reel) |

