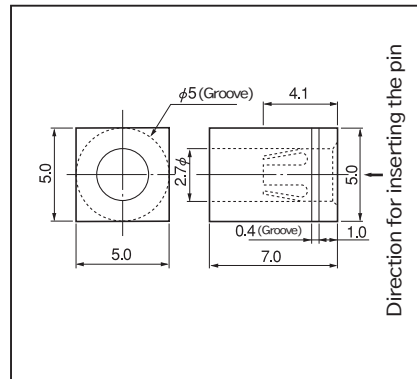


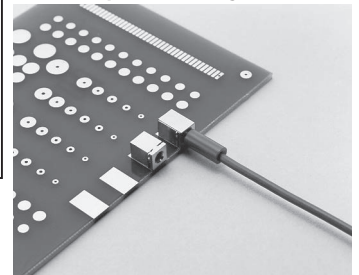
Power supply connector for surface mounting

HH-5 series

- This connector is used for supplying power to a surface mounting board.
- Please use OP-50-2 for the male side.
- By using HH-5-R (metal lock fitting) for OP-50-2, it will not be taken off even if it is pulled.
- Material
 - Body: Brass
 - Contact part: Beryllium copper
- Finish
 - HH-5-G Body: Gold plating over nickel base
Contact part: Gold plating over nickel base
 - HH-5-SN Body: Tin plating over nickel base
Contact part: Gold plating over nickel base
- Specification
 - Rated current: 20A
 - Contact resistance: 10m Ω or less
 - insertion / removal durability : 100 cycles
 - Insertion / removal forces: 150g or over
 - Adaptive male pin diameter: φ 1.7 to φ 2.1
 - Operating temperature range: - 40 to + 125°C

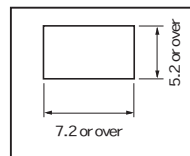


■ Example of usage



When OP-50-2 and HH-5-R (metal lock fitting) are used

■ Recommended land information



■ Part No.

Part No.	Package
HH-5-G	Bulk (100pcs/pack)
HH-5-G-T	Reel (300pcs/reel)
HH-5-SN	Bulk (100pcs/pack)
HH-5-SN-T	Reel (300pcs/reel)

■ Instructions for use

- Please be careful of the direction for inserting the pin.

The groove side is the direction for inserting the male pin.

