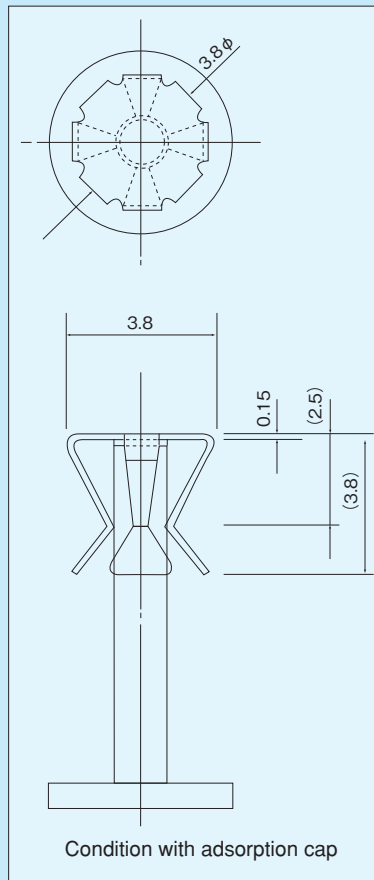


Surface mount terminals [CKW-T] series

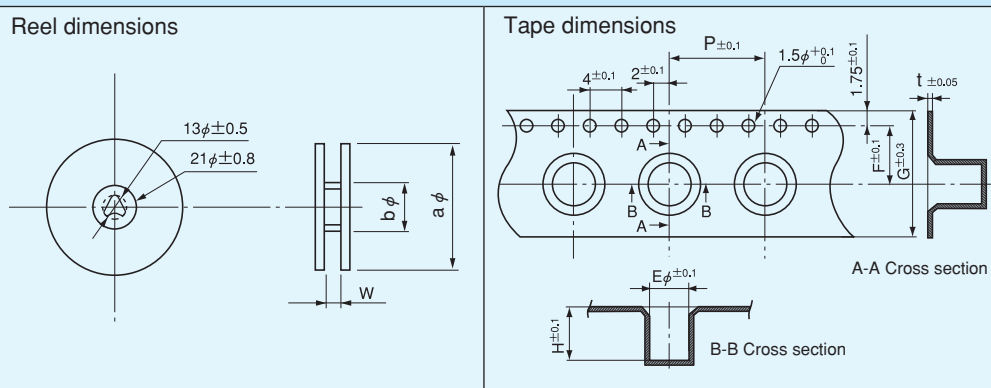
- CKW series with tape-and-reel package.
- Adsorption cap on the tip (except CKW-20 series.)
- Please remove the cap after reflow.
- Material of adsorption cap . . . stainless

Part number.

Part number.	Packing state	Adsorption cap
CKW-10- 5-T	(350pcs/reel)	Yes
CKW-10- 7-T	(350pcs/reel)	Yes
CKW-10-10-T	(250pcs/reel)	Yes
CKW-15- 5-T	(350pcs/reel)	Yes
CKW-15- 7-T	(300pcs/reel)	Yes
CKW-15-10-T	(250pcs/reel)	Yes
CKW-20- 5-T	(450pcs/reel)	No
CKW-20- 7-T	(250pcs/reel)	No
CKW-20-10-T	(200pcs/reel)	No



Reel dimensions



For surface mounting

Part number	Reel			E	H	F	G	P	t
	a(φ)	b(φ)	W						
CKW-10- 5-T	180	60	13	4.3	5.75	5.5	12	8	0.4
CKW-10- 7-T	254	80	17.5	4.3	7.8	7.5	16	12	0.4
CKW-10-10-T	254	80	17.5	4.3	10.8	7.5	16	12	0.5
CKW-15- 5-T	254	80	17.5	5.3	6.8	7.5	16	12	0.4
CKW-15- 7-T	254	80	17.5	5.3	7.8	7.5	16	12	0.4
CKW-15-10-T	254	80	17.5	5.3	10.8	7.5	16	12	0.4
CKW-20- 5-T	254	80	17.5	7.3	6.0	7.5	16	12	0.4
CKW-20- 7-T	254	80	25.5	7.3	8.0	11.5	24	16	0.4
CKW-20-10-T	254	80	25.5	7.3	11.0	11.5	24	16	0.4

Soon-to-be-released

- There is a case to be changed the spec without notice. Please contact us.