

Cube type socket[BBS series]

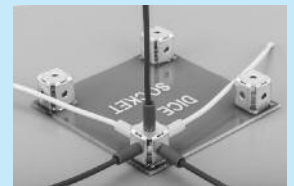
- This can be inserted from 5 directions.
- This can make PCB fix in the from of cube (as the example shows).
- Please choose the socket according to the male pin diameter of other side.
- 5 direction-socket will be same.
- Material Body.....Copper 0.8t
Contact.....Beryllium copper
- Finish Body.....Tin plating over Ni base
Contact.....Gold plating over Ni base
- Contact resistance.....20mΩ or less
- Insertion / removal frequency.....100 time or over
- Operating temperatvre range.....-40~+125°C

Part number

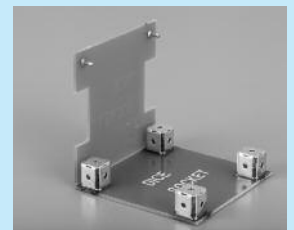
Part number	Adoptive mole pin diameter	Roted current	Insertion removal forces	Male pin contact point	Package	Package quantity
BBS-12-1.0	0.9~1.1	5	70	3.2	Bulk	100 pcs/pack
BBS-12-1.0-T	0.9~1.1	5	70	3.2	Reel	200 pcs/pack
BBS-12-1.5	1.3~1.6	15	100	3.4	Bulk	100 pcs/pack
BBS-12-1.5-T	1.3~1.6	15	100	3.4	Reel	200 pcs/pack
BBS-12-2.0	1.7~2.0	20	100	4.0	Bulk	100 pcs/pack
BBS-12-2.0-T	1.7~2.0	20	100	4.0	Reel	200 pcs/pack



Example of usage



Insert OP series

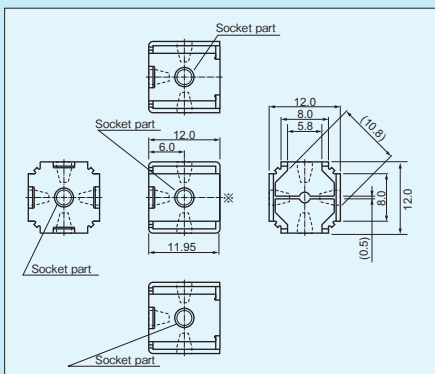


Fit vertically by using male pin

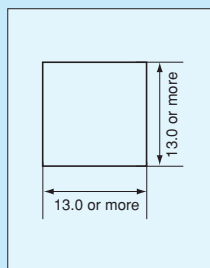


Fit in the form of cube by using male pin

Dimension



Recommended land diameter



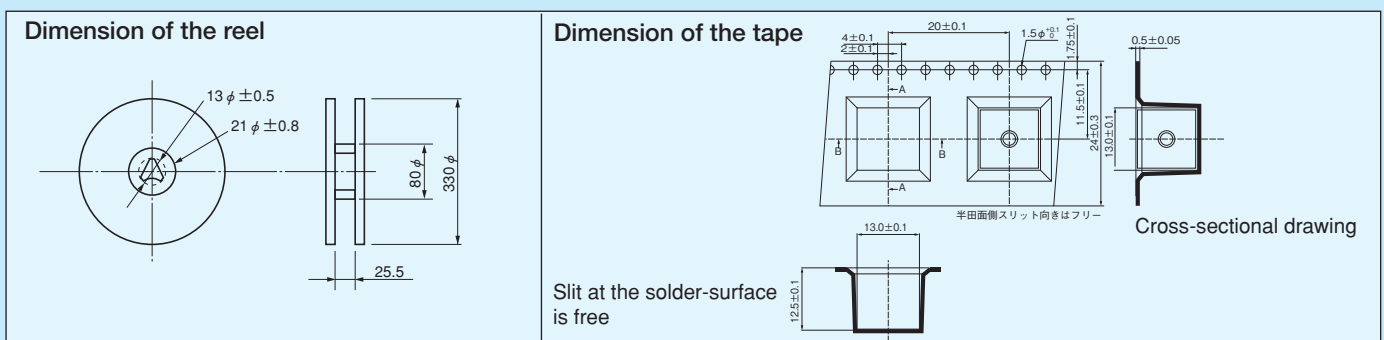
Recommended metal mask thickness

- 150~200 μ

Instruction for use

- In case of solder not wicking on the ※Part, 2area please wick the solder by soldering iron.
- When removing the male pin, please remove in straight to avoid the damage of socket.

Dimension of the reel



- There is an adsorption film on BBH-10-M3-T. Please remove the film after reflow.