

Jyanta for connection [XR series] (10pcs/pack)

- This product can connect and short the part with a pitch of 2.54 mm and with the width of 5.08 mm, 7.62 mm, or 10.16 mm. (Example: IC part)
- This allows one-touch switching of signals up to 20 lines.
- With the height of 2 mm, it can be used for many usages.
- Material
Pin part: Beryllium copper Gold plating over nickel base
- Resin part: PBT resin (UL94V-0)
- Rated current: 1A
- Rated voltage: 125V AC, DC
- Contact resistance: 50mΩ or less
- Insulation resistance: 500MΩ or over
- Withstand voltage: 1000V AC, DC per minute
- Adaptive through hole for printed board: ϕ 0.8 to ϕ 0.90 for the TH finish diameter
- Adaptive printed board thickness: 0.8t to 1.6t
- Operating temperature range: -40 to $+125^{\circ}\text{C}$
- Operating humidity range: 0 to 85%RH (Without dew condensation.)
- Frequency of use: 50 times or less (for the same through hole)

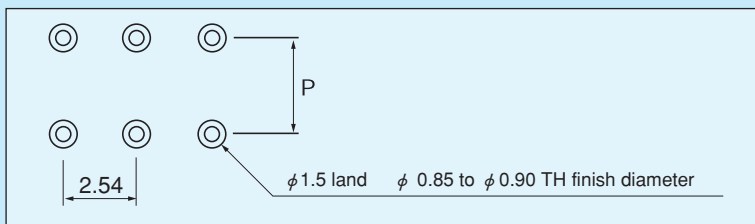
Insertion / removal forces (per pin)

Through hole	Insertion forces	Removal forces
ϕ 0.85	600g or less	100g or over
ϕ 0.9	300g or less	30g or over

Part number

Part number	P	A	B
XR-2	5.08	4.58	9.08
XR-3	7.62	7.12	11.62
XR-4	10.16	9.66	14.16

Recommended land diameter



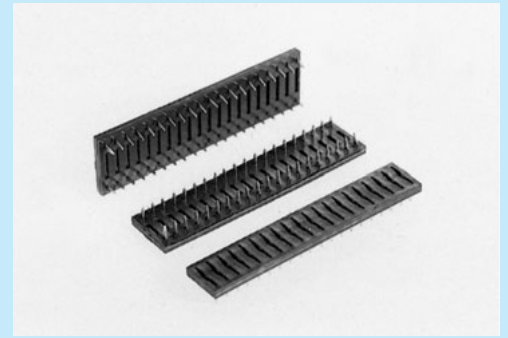
How to order

XR-2-5P

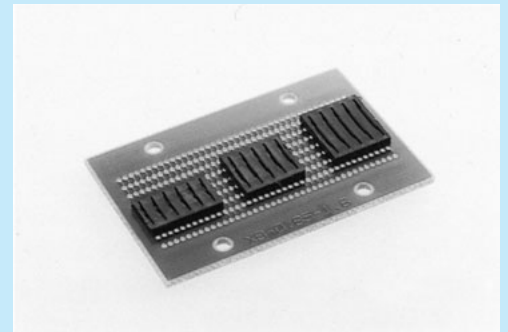
↑
Please specify the number of poles.
(Maximum number: 20 P)

Instructions for use

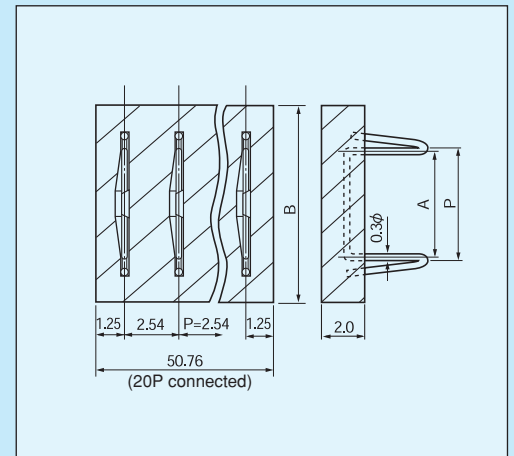
This product cannot be used for a copper through hole board. (Due to quick oxidization of copper)



Example of usage



Dimension



Instructions for use

When a large number of pins are connected, significant power is required for removal. Please removal it after raising one side.