

## Conthrough series for check [Part number: XC-2, XC-3] (10pcs/pack)

- Signal check can be carried out just by inserting to the through hole.
- Signal can be supplied from the through hole.
- Six resin colors are available (black, white, red, yellow, blue and green).
- 50cm-long electric wire (AWG22) is included.

### • Material

Contact part: Beryllium copper

Gold plating over nickel base

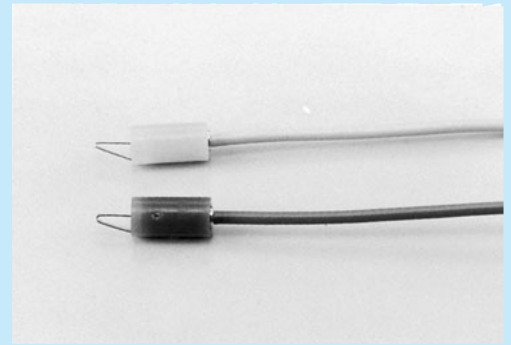
Body: Brass

Gold plating over nickel base

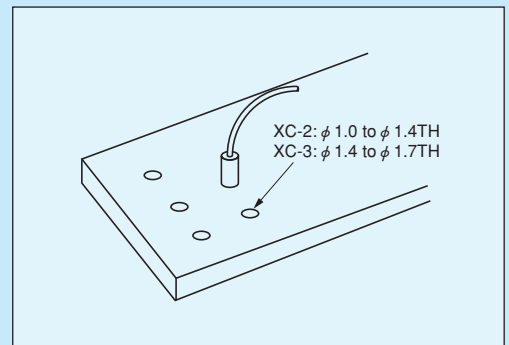
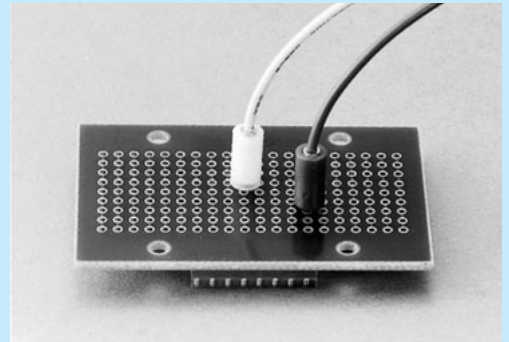
Resin part: Acetal copolymer

(UL94HB)

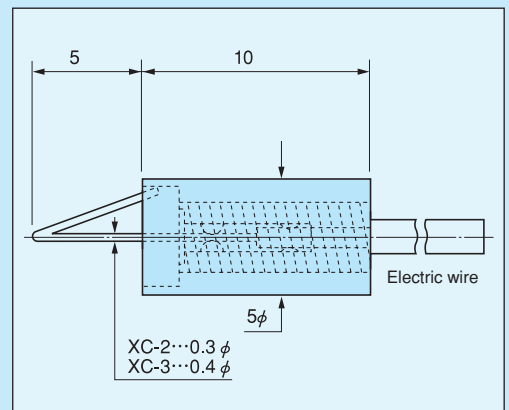
- Electric wire: AWG22
- Rated current: 1A
- Rated voltage: 125V AC, DC
- Contact resistance: 30mΩ or less
- Adaptive through hole diameter for printed board: XC-2:  $\phi$  1.0 to  $\phi$  1.4  
XC-3:  $\phi$  1.4 to  $\phi$  1.7
- Adaptive printed board thickness: 0.8t to 3.2t
- Operating temperature range:  $-40$  to  $+80^{\circ}\text{C}$
- Operating humidity range: 0 to 85%RH (Without dew condensation.)
- Frequency of use: 50 times or less (for the same through hole)



### ■ Example of usage



### ■ Dimension



### ■ Part number

Part number	Adaptive through hole diameter
XC-2	$\phi$ 1.0 to $\phi$ 1.4
XC-3	$\phi$ 1.4 to $\phi$ 1.7

### ■ How to order

XC-2 Red



Please specify the resin color.

(Six colors: black, white, red, yellow, blue or green)

- The color of electric wire and resin is the same.

### ■ Instructions for use

- This product cannot be used for a copper through hole board. (Due to quick oxidization of copper)