

Terminal for wiring (for surface mounting) [WTS series]

- Use for fixing cable to surface mounting board.
- Use for test point.
- Material : Brass
- Finish : Tin plating over nickel base

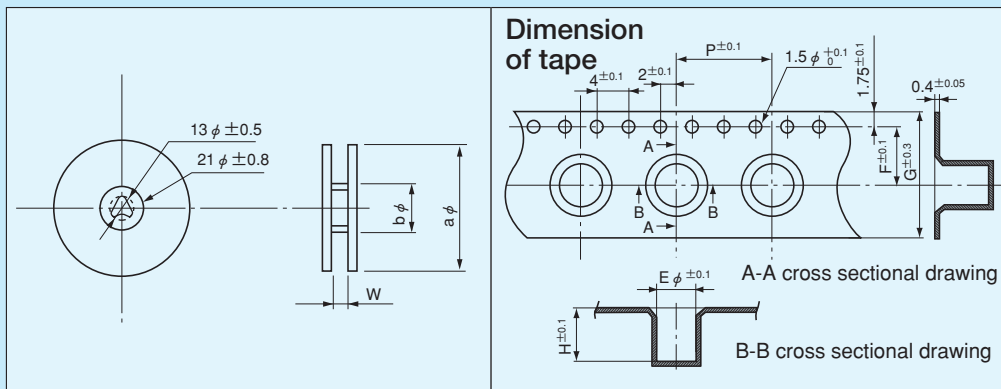


Part number

WTS-3-4.5	WTS-3-6.5	WTS-4-7.5	WTS-4-9.5	WTS-5-7.5	WTS-5-10.5

Part number	Power capacity (A)	a (φ)	b (φ)	W	P	F	G	E (φ)	H	Package(pcs/reel)
WTS-3-4.5	7	180	60	13	8	5.5	12	3.0	4.8	400(pcs)
WTS-3-6.5	7	180	60	13	8	5.5	12	3.0	6.8	300(pcs)
WTS-4-7.5	15	254	80	17.5	12	7.5	16	4.3	7.8	350(pcs)
WTS-4-9.5	15	254	80	17.5	12	7.5	16	4.3	9.8	300(pcs)
WTS-5-7.5	30	254	80	17.5	12	7.5	16	5.3	7.8	350(pcs)
WTS-5-10.5	30	254	80	17.5	12	7.5	16	5.3	10.8	250(pcs)

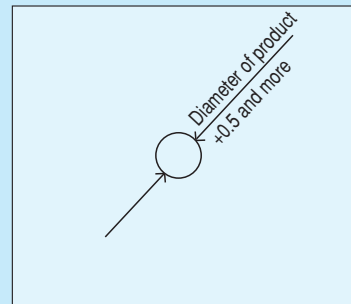
Dimension of reel



Example of usage



Recommended land diameter



Order bulk-package part

Example WTS-3-4-5-B

↑ Please specify "-B".
● 100pcs/pack

For surface mounting