

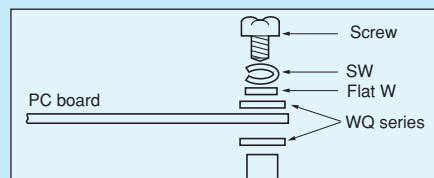
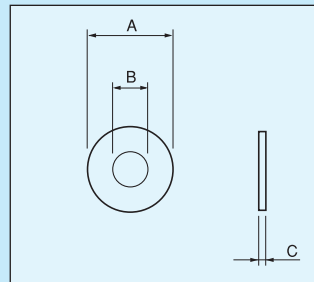
Flat washer for insulation (PPS) [WQ series] (100pcs/pack)

- When the pattern is close to the screw hole of a PC board, the insulation washer is used for preventing a short.
- Material: PPS (UL94V-0)
- Color: Brown
- Operating temperature range: -40 to +200°C



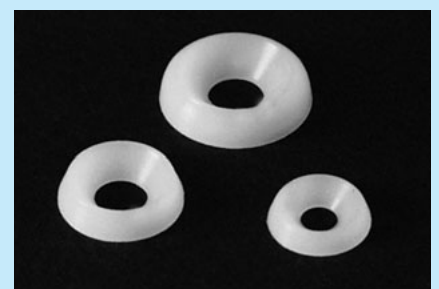
Part number

Part number	A (φ)	B (φ)	C (mm)	Screw to use
WQ-3	7	3.2	0.5	For M3
WQ-4	9	4.3	0.8	For M4
WQ-5	10	5.3	1.0	For M5



Mountain-shaped washer [WE series] (100pcs/pack)

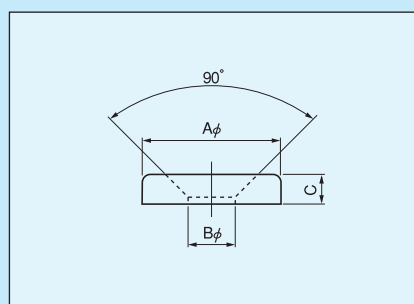
- This is used for tightening a screw on a panel, tightening a screw on a position where a PC board pattern is going through, etc.
- Material: 6 nylon(UL94V-2)
- Color: Milky white
- Operating temperature range: -20 to +85°C



Washer for Insulation

Part number

Part number	A	B	C
WE-3	9	3.3	2.1
WE-4	11	4.5	2.8
WE-5	14	5.5	3.3



Example of usage

