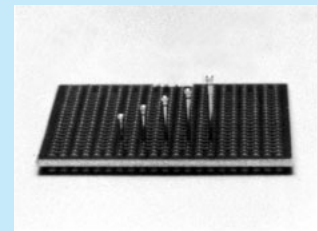
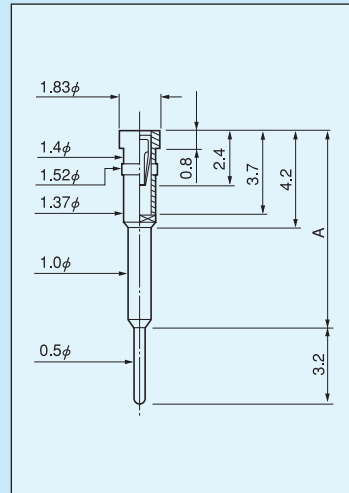


Long-legged socket [WD series] (100pcs/pack)

- This socket has a long leg. This is used for high overlaying and for multiple-tiered installation.
- Adaptive male pin diameter: ϕ 0.45 to ϕ 0.6
- Printed board fitting hole diameter: ϕ 0.6

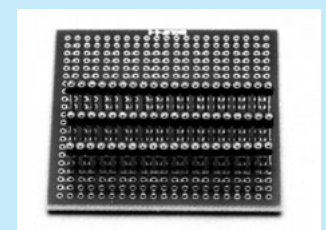
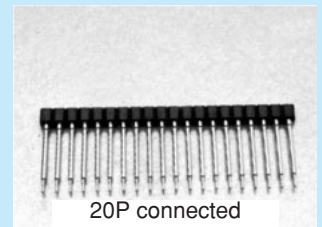
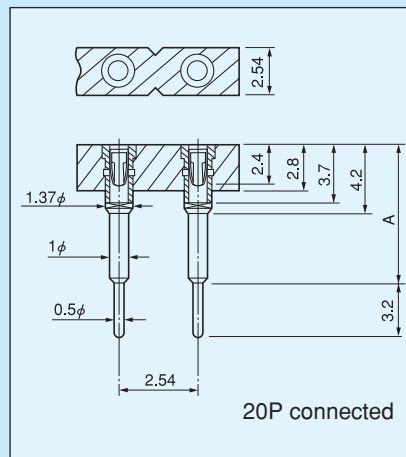
Part number	A	Plating specification	
		Contact	Body
WD- 6	6.0	Gold	Tin
WD- 60	6.0	Gold	Gold
WD- 8	8.0	Gold	Tin
WD- 80	8.0	Gold	Gold
WD- 10	10.2	Gold	Tin
WD-100	10.2	Gold	Gold
WD- 12	12.0	Gold	Tin
WD-120	12.0	Gold	Gold
WD- 15	15.0	Gold	Tin
WD-150	15.0	Gold	Gold



Long-legged socket [WM series] (10pcs/pack)

- This socket has a long leg. This is used for high overlaying and for multiple-tiered installation.
- Pitch: 2.54 mm, 20P connected
- Adaptive male pin diameter: ϕ 0.45 to ϕ 0.6
- Printed board fitting hole diameter: ϕ 0.8

Part number	A	Plating specification	
		Contact	Body
WM- 6	6.0	Gold	Tin
WM- 60	6.0	Gold	Gold
WM- 8	8.0	Gold	Tin
WM- 80	8.0	Gold	Gold
WM- 10	10.2	Gold	Tin
WM-100	10.2	Gold	Gold
WM- 12	12.0	Gold	Tin
WM-120	12.0	Gold	Gold
WM- 15	15.0	Gold	Tin
WM-150	15.0	Gold	Gold



Socket pin

How to order

WM-6-10P

↑ Please fill in the number of poles. (Maximum number: 20P)
(If the number is not specified, we will deliver the part of the maximum number of poles, 20P.)

Specification (WD, WM series)

Electrical specification	Rated current	1A
	Rated voltage	125V, DC, AC
	Contact resistance	10mΩ or less
	Insulation resistance	500MΩ or over
	Withstand voltage	1000 V, DC, AC per minute
	Mechanical specification	Operating temperature range
Insertion / removal frequency		100 times or over
Insertion / removal forces		70g or over (per pin)

Material	Resin part	PCT black (UL94V-0)
	Inside contact	Beryllium copper
	Body	Brass