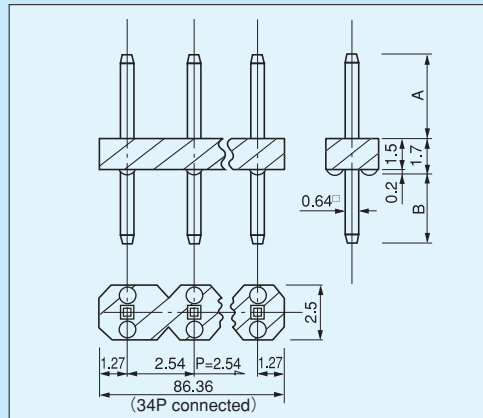
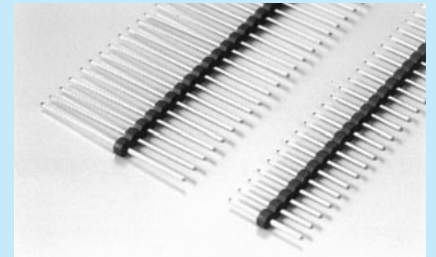


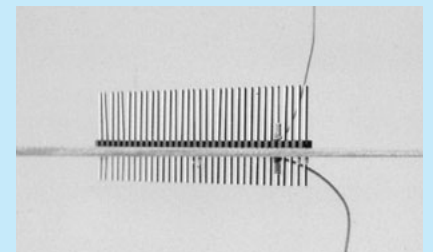
Wrapping terminal of connected type [WL-□-□ series] (10pcs/pack)

- This wrapping terminal is connected with a pitch of 2.54 mm.
- The upper length is different from the lower length.
- Wrapping is available from the part side, soldering side, and both sides.
- As 34 pins are connected, please cut them to the desired number of poles by using a mold cutting nipper (Part number: MOC-3)
- Material: Resin part: PBT black (UL94V-0)
Pin part: Phosphor bronze
- Finish: Gold plating over nickel base
- Rated current: 3A
- Insulation resistance: 500MΩ or over
- Withstand voltage: 1000V AC, DC per minute
- Operating temperature range: -40 to +125°C
- Printed board fitting hole diameter: 1.0 to φ 1.1



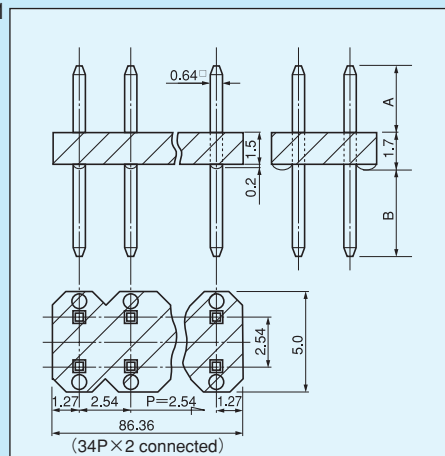
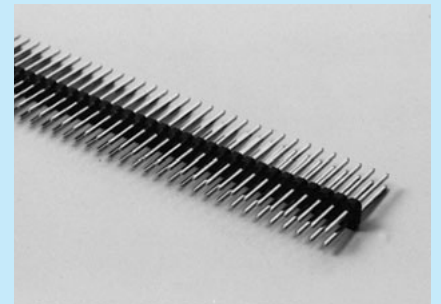
Part number	A	B
WL-4-7	4.3	7.0
WL-8-11	8.0	11.0
WL-12-16	12.0	16.0
WL-6-6	6.0	6.0

Example of usage



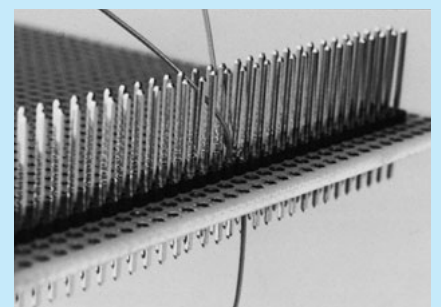
Wrapping terminal of two-row connected type [WLW-□-□ series] (10pcs/pack)

- This wrapping terminal is of two-row connected type with a pitch of 2.54 mm.
- The upper length is different from the lower length.
- Wrapping is available from the part side, soldering side, and both sides.
- Material Resin part: PBT black (UL94V-0)
Pin part: Phosphor bronze
- Finish: Gold plating over nickel base
- Rated current: 3A
- Insulation resistance: 500MΩ or over
- Withstand voltage: 1000V AC, DC per minute
- Operating temperature range: -40 to +125°C
- Printed board fitting hole diameter: 1.0 to φ 1.1



Part number	A	B
WLW-4-7	4.3	7.0
WLW-8-11	8.0	11.0
WLW-12-16	12.0	16.0
WLW-6-6	6.0	6.0

Example of usage



How to order:

WLW-4-7-10PW

↑
Please fill in the number of poles on one side.
(If nothing is filled in, we will deliver 34PW.)

* For an order of WLW-□-□-1PW, please order WL-□-□-2P.