

Wrapping terminal of connected type (Pitch: 2 mm) [WC, WCW series] (10pcs/pack)

- This wrapping terminal is connected with a pitch of 2 mm.
- Material Resin part: PPS black (UL94V-0)
Pin part: Phosphor bronze
- Finish: Gold plating over nickel base
- Rated current: 3A
- Rated voltage: 250V AC, DC
- Insulation resistance: 500MΩ or over
- Withstand voltage: 1000V AC, DC per minute
- Operating temperature range: -40 to +125°C
- Printed board fitting hole diameter: φ 0.8 to 0.9

Part number

• WC series

Part number	L
WC-20-3.2	3.2
WC-20-3.5	3.5
WC-20- 5	5
WC-20- 8	8
WC-20-10	10

• WCW series

Part number	L
WCW-20-3.2	3.2
WCW-20-3.5	3.5
WCW-20- 5	5
WCW-20- 8	8
WCW-20-10	10

How to order:

WC-20-3.5-10P

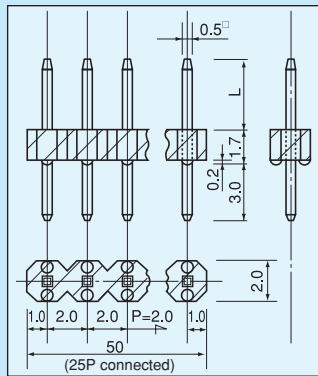
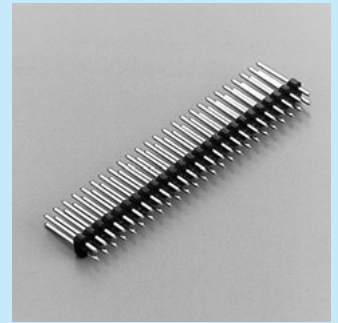
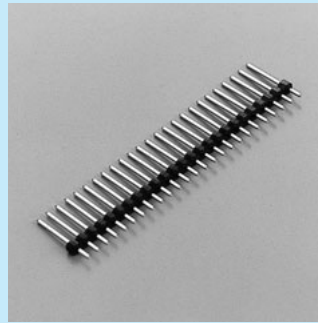
↑ Please fill in the number of poles.
(Maximum number: 25 P)

WCW-20-3.5-10PW

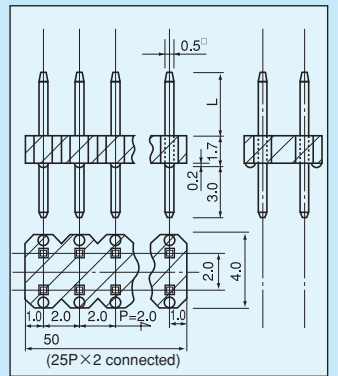
↑ Please fill in the number of poles on one side.
(Maximum number: 25 PW)

* If the number of poles is not specified, we will deliver the maximum number of poles.

* For an order of WCW-□-□-1PW, please order WC-□-□-2P.



WC-20 series



WCW-20 series

For wrapping

Wrapping terminal of angle connected type (Pitch: 2 mm) [WCA series] (10pcs/pack)

- This wrapping terminal is angle type connected with a pitch of 2mm.
- The material, finish, and electrical specification are the same as those of WC series described above.
- Printed board fitting hole diameter: φ 0.8 to 0.9

Part number

• WCA-20 series

Part number	L
WCA-20-1	3.0
WCA-20-2	4.3

• WCAW-20 series

Part number	L
WCAW-20-1	3.0
WCAW-20-2	4.3

How to order:

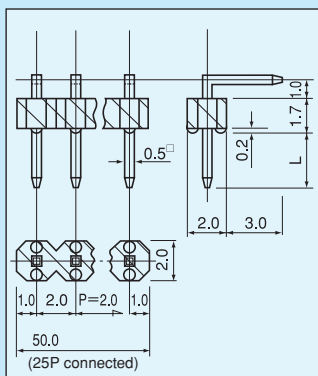
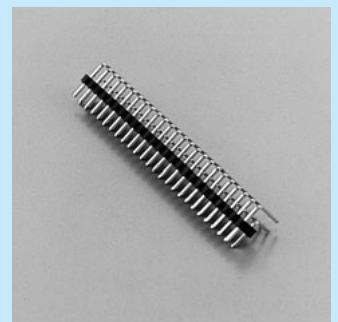
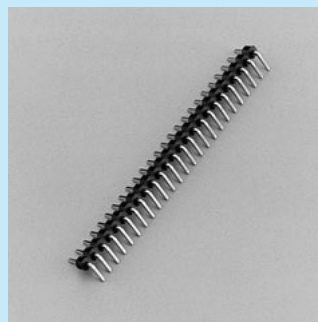
WCA-20-1-10P

↑ Please fill in the number of poles.
(Maximum number: 25 P)

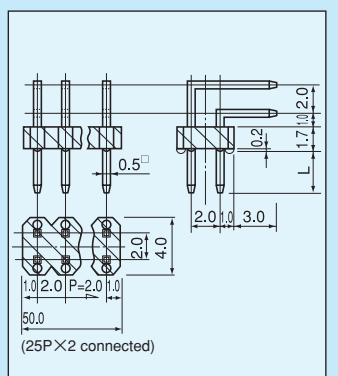
WCAW-20-1-10PW

↑ Please fill in the number of poles on one side. (Maximum number: 25 PW)

* If the number of poles is not specified, we will deliver the maximum number of poles.



WCA-20 series



WCAW-20 series