

Spring probe for battery [VB series] (10pcs/pack)

- This is used for charging a battery, etc. and discharging.
- This can be used with inrush current.
- Two types, for fitting PC board (VB-2 series) and for fitting resin (VB-20 series), are available.
- Material Body: Brass
Contact part: Brass
Spring: Stainless steel
E-ring: Stainless steel
- Finish: Body, Contact part: Gold plating over nickel base
- Rated current: 5A
- Contact resistance: 10mΩ or less
- Durability: 10000 times or over
- Operating temperature range: -20 to +100°C



Part number

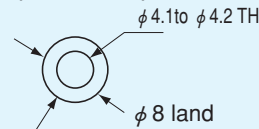
Part number L	Part number L	Part number L	Part number L
VB-2-6-AA 6.0	VB-2-6-BA 6.0	VB-2-8-CA 8.0	VB-2-6-AB 6.0
VB-2-8-AA 8.0	VB-2-8-BA 8.0		VB-2-8-AB 8.0

Part number L	Part number L	Part number L	Part number L
VB-2-6-BB 6.0	VB-2-8-CB 8.0	VB-20-6-AA 6.0	VB-20-6-BA 6.0
VB-2-8-BB 8.0		VB-20-8-AA 8.0	VB-20-8-BA 8.0

Part number L	Part number L	Part number L	Part number L
VB-20-8-CA 8.0	VB-20-6-AB 6.0	VB-20-6-BB 6.0	VB-20-8-CB 8.0
	VB-20-8-AB 8.0	VB-20-8-BB 8.0	

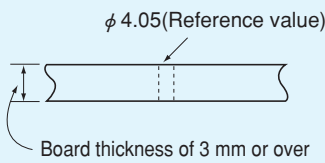
Fitting hole diameter

- For fitting PC board (VB-2 series)



★ Do not use the land electrically. (This is for fixing.)

- For fitting resin (VB-20 series)



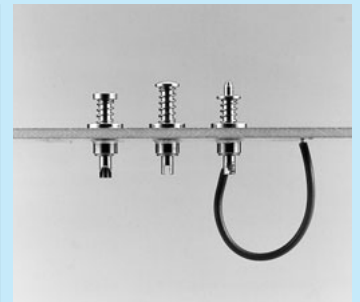
Operating forces

- With a stroke of 1 mm:
VB-□-6 type:200g
VB-□-8 type:200g
VB-□-8-C□ type:200g

Stroke

- VB-□-6 type:1.5mm
VB-□-8 type:2.0mm
VB-□-8-C□ type:1.5mm

Example of usage

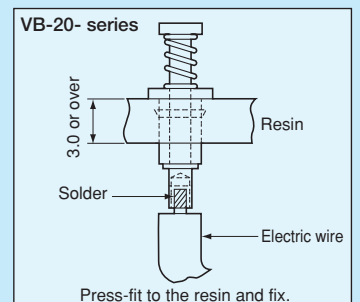
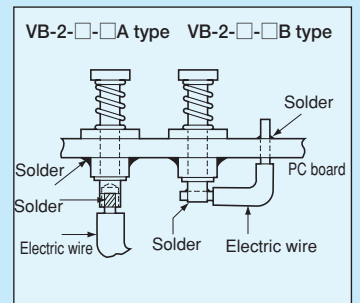


When this is fit to a PC board



When this is fit to resin

Fitting method



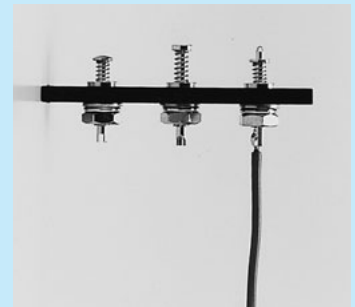
Spring probe for battery [VB series] (10pcs/pack)

VB-24 series

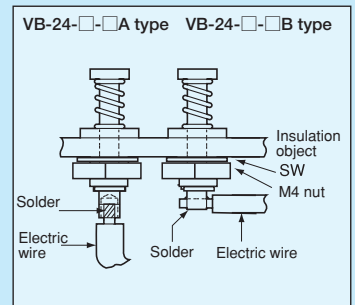
- The specifications other than those described below are the same as VB-2, 20 series.
- This product can be fixed with a nut. (This product includes the nut.)
- Thickness of the board that can be fit: 1.0 mm to 3.0 mm
- Fitting hole diameter: ϕ 4.2
- Operating forces: 200g with a stroke of 1 mm
- Stroke: VB-24-6 type:1.5mm
 VB-24-8 type: 2mm
 VB-24-8-C□ type: 1.5mm



Example of usage



Fitting method



Part number

Part number	L	Part number	L	Part number	L
VB-24-6-AA	6	VB-24-6-BA	6	VB-24-6-AB	6
VB-24-8-AA	8	VB-24-8-BA	8	VB-24-8-AB	8
VB-24-8-AA	8	VB-24-8-BA	8	VB-24-8-AB	8
VB-24-8-AA	8	VB-24-8-BA	8	VB-24-8-AB	8

VB-1, 10, 14 series

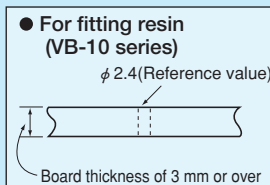
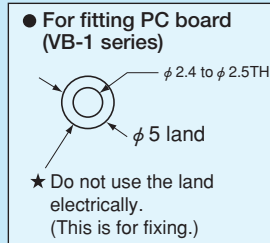
- The specifications other than those described below are the same as those of VB-2, 20 series.
- Rated current: 3A
- Operating forces: Stroke of 1 mm: 90g
- Stroke: 1.5 mm



Part number

Part number	Part number	Part number
VB-1-6-BC	VB-10-6-BC	VB-14-6-BC

Fitting hole diameter



Fitting method

