

Through hole tap [TH series]

- A through hole changes to a threaded hole (M1.0, M1.2, M1.4, M1.6, M1.7, M2, M2.5, M2.6, or M3).
- Taping type has an adsorption film. Please remove by pushing it from the opposite side after reflow.
- The jig for removing adsorption films (Part number: TH-JIG) is available.

• Material: Brass

• Finish: Tin plating over nickel base

• Rated current:

TH-0.8-M1.0.....10A	TH-1.6-M1.7.....15A
TH-0.8-M1.2.....12A	TH-1.6-M2.....20A
TH-0.8-M1.4.....12A	TH-1.6-M2.5、M2.6...20A
TH-1.6-M1.6.....15A	TH-1.6-M3.....30A

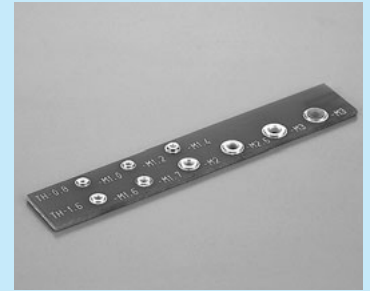
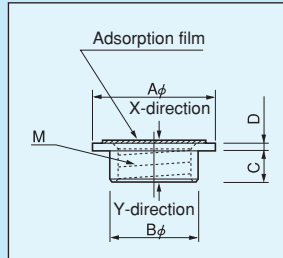
• Tightening torque

TH-0.8-M1.0.....0.3kgf-cm (2.94N-cm) or less
TH-0.8-M1.2.....0.6kgf-cm (5.88N-cm) or less
TH-0.8-M1.4.....1.0kgf-cm (9.8N-cm) or less
TH-1.6-M1.6.....1.5kgf-cm (14.7N-cm) or less
TH-1.6-M1.7.....1.5kgf-cm (14.7N-cm) or less
TH-1.6-M2.....1.5kgf-cm (14.7N-cm) or less
TH-1.6-M2.5、M2.6.....3kgf-cm (29.4N-cm) or less
TH-1.6-M3.....5kgf-cm (49N-cm) or less(X-direction)
3kgf-cm (29.4N-cm) or less(Y-direction)

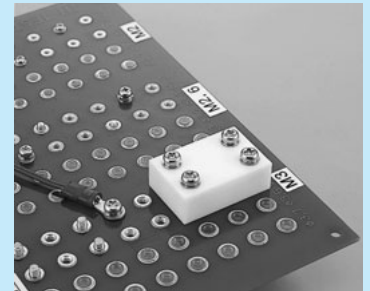
• Adaptive printed board thickness: 1.6t or over (TH-1.6 series), 0.8t or over (TH-0.8 series)
(There is no problem if it is used for other board thickness.)

• Recommended metal mask thickness:150 to 200 μ

Dimensional drawing



With the parts attached



With the parts attached



Screw can be inserted both from the part face side and the soldering face side.

Part number

Part number	A	B	C	D	M	Package
TH-0.8-M1.0	2.5	1.6	0.7	0.5	M1.0 P=0.25	Reel (1000pcs/reel)
TH-0.8-M1.2	2.5	1.8	0.7	0.5	M1.2 P=0.25	Reel (1000pcs/reel)
TH-0.8-M1.4	2.7	2.0	0.7	0.7	M1.4 P=0.3	Reel (1000pcs/reel)
TH-1.6-M1.6	3.0	2.2	1.5	0.3	M1.6 P=0.35	Reel (900pcs/reel)
TH-1.6-M1.7	3.0	2.3	1.5	0.3	M1.7 P=0.35	Reel (900pcs/reel)
TH-1.6-M2	4.0	2.5	1.5	0.3	M2 P=0.4	Reel (900pcs/reel)
TH-1.6-M2.5	4.5	3.1	1.5	0.3	M2.5 P=0.45	Reel (900pcs/reel)
TH-1.6-M2.6	4.5	3.1	1.5	0.3	M2.6 P=0.45	Reel (900pcs/reel)
TH-1.6-M3	5.0	3.5	1.5	0.3	M3 P=0.5	Reel (900pcs/reel)

To order bulk product

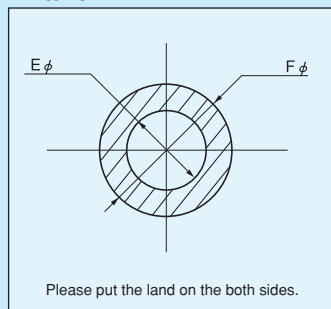
TH-1.6-M3-B

↑ Please specify -B. (100pcs/pack)

Adsorption films are not put on the bulk products.

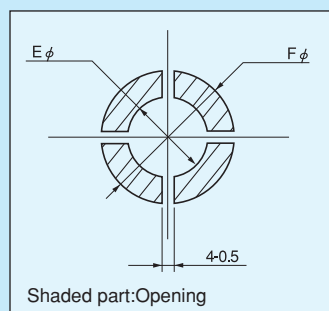
* Please use the automatic mounter of automatic recognition type.

Recommended fitting land



Recommended metal mask

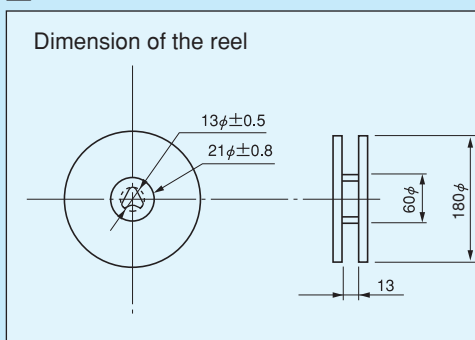
(Recommended metal mask thickness:150 μ to 200 μ)



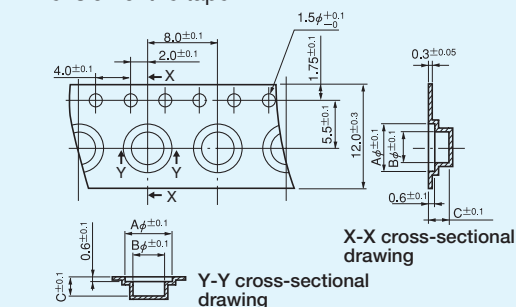
Part number	E φ	F φ
TH-0.8-M1.0	1.8	3.5
TH-0.8-M1.2	2.0	3.5
TH-0.8-M1.4	2.2	4.0
TH-1.6-M1.6	2.4	4.0
TH-1.6-M1.7	2.5	4.0
TH-1.6-M2	2.7	5.0
TH-1.6-M2.5	3.3	5.5
TH-1.6-M2.6	3.3	5.5
TH-1.6-M3	3.7	6.0

• If it is bigger than the recommended fitting through hole (φ E), the torque to the Y-direction (soldering face side) will be decreased. (As the flow of soldering to the through hole is reduced)

Dimension of the reel



Dimension of the tape



	Aφ	Bφ	C
TH-0.8-M1.0	2.7	2.7	1.6
TH-0.8-M1.2	2.7	2.7	1.6
TH-0.8-M1.4	2.9	2.9	1.8
TH-1.6-M1.6	3.2	3.2	2.2
TH-1.6-M1.7	3.2	3.2	2.2
TH-1.6-M2	4.5	2.8	2.3
TH-1.6-M2.5	5.0	3.4	2.3
TH-1.6-M2.6	5.0	3.4	2.3
TH-1.6-M3	5.5	3.8	2.3

▲ Use of a through hole tap is limited to a through hole board. (It is impossible to use it for a one-sided board and non through hole board.)

For surface mounting