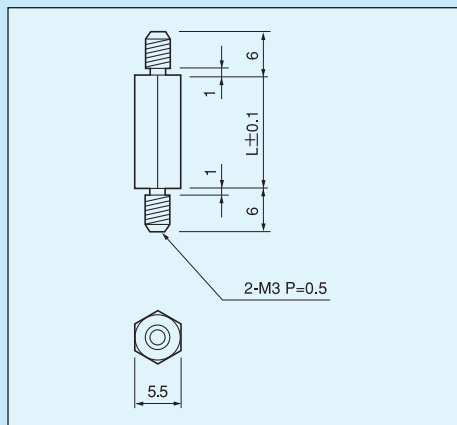


■ Metal type

Spacer of hexagon shape for printed board [SR series] (100pcs/pack)

- This is used for fitting a printed board to a chassis and for two-tiered installation.
- This is a male-male type.
- Material: Brass
- Finish: Nickel plating



■ M3 type (for M3)

Part number	L (mm)
SR-2	2
SR-3	3
SR-4	4
SR-5	5
SR-6	6
SR-7	7
SR-8	8
SR-9	9
SR-10	10
SR-12	12
SR-15	15
SR-18	18
SR-20	20
SR-25	25
SR-30	30