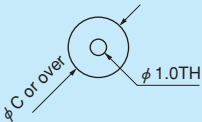


**Screw for surface mounting [SN series] (M4, M3, M2.6, M2) (100pcs/pack)**

- This screw can be fit to a surface mounting board.
- The small protuberance on the lower part is attached to prevent misalignment.
- Please drill a through hole of  $\phi 1$
- This screw can fit to various items.
- Electricity can be applied to this.
- Material: Brass
- Finish: Tin plating over nickel base
- Rated current 4SN:40A  
3SN:30A  
2.6SN:20A  
2SN:10A

- Recommended land diameter: 4SN:9  
3SN:7  
2.6SN:6  
2SN:5



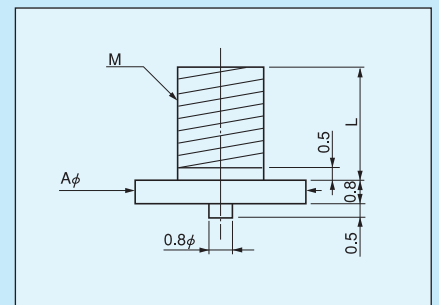
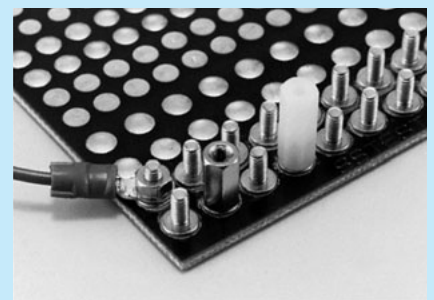
- Recommended cream solder thickness:  
150  $\mu$  to 200  $\mu$   
Please apply evenly (not to avoid the through hole).
- Tightening torque  
4SN:6kg · f · cm or less  
3SN:5kg · f · cm or less  
2.6SN:4kg · f · cm or less  
2SN:2kg · f · cm or less

**Part number**

Part number	L	A	M
4SN-4	4	8	M4
4SN-5	5	8	M4
4SN-6	6	8	M4
4SN-7	7	8	M4
4SN-8	8	8	M4
4SN-9	9	8	M4
4SN-10	10	8	M4
3SN-4	4	6	M3
3SN-5	5	6	M3
3SN-6	6	6	M3
3SN-7	7	6	M3
3SN-8	8	6	M3
3SN-9	9	6	M3
3SN-10	10	6	M3
2.6SN-4	4	5	M2.6
2.6SN-5	5	5	M2.6
2.6SN-6	6	5	M2.6
2.6SN-7	7	5	M2.6
2.6SN-8	8	5	M2.6
2.6SN-9	9	5	M2.6
2.6SN-10	10	5	M2.6
2SN-4	4	4	M2
2SN-5	5	4	M2
2SN-6	6	4	M2
2SN-7	7	4	M2
2SN-8	8	4	M2
2SN-9	9	4	M2
2SN-10	10	4	M2



**Example of usage**



- M4:P=0.7
- M3:P=0.5
- M2.6:P=0.45
- M2:P=0.4

- All the products described above are sold as separate products.

## For automatic inserting machine Screw for surface mounting [SN series]

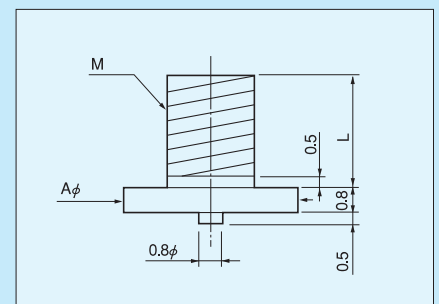
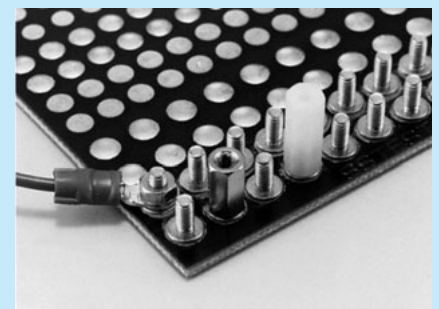
- An automatic inserting machine can be used for this screw for surface mounting.
- This is stored in an embossed tape.

### Part number

Part number	L	A	M	Number stored in 1 reel	Dimensions of the tape (mm)						
					A	B	C	D	E	F	P
4SN-4-T	4	8	M4	600	24	11.5	5.1	3.4	6	8.2	20
4SN-5-T	5	8	M4	500	24	11.5	6.1	4.1	6	8.2	20
4SN-6-T	6	8	M4	400	24	11.5	7.0	4.7	6	8.2	20
4SN-7-T	7	8	M4	400	24	11.5	8.1	5.5	6	8.2	20
4SN-8-T	8	8	M4	300	24	11.5	9.1	6.1	6	8.2	20
4SN-9-T	9	8	M4	300	24	11.5	10.1	6.7	6	8.2	20
3SN-4-T	4	6	M3	900	24	11.5	5.1	3.4	4	6.2	16
3SN-5-T	5	6	M3	800	24	11.5	6.1	4.1	4	6.2	16
3SN-6-T	6	6	M3	600	24	11.5	7.0	4.7	4	6.2	16
3SN-7-T	7	6	M3	600	24	11.5	8.2	5.5	4	6.2	16
3SN-8-T	8	6	M3	500	24	11.5	9.1	6.1	4	6.2	16
2.6SN-4-T	4	5	M2.6	900	24	11.5	4.9	3.2	3.2	5.2	16
2.6SN-5-T	5	5	M2.6	800	24	11.5	5.9	3.9	3.2	5.2	16
2.6SN-6-T	6	5	M2.6	600	24	11.5	6.9	4.5	3.2	5.2	16
2.6SN-7-T	7	5	M2.6	600	24	11.5	7.9	5.2	3.2	5.2	16
2SN-4-T	4	4	M2	1200	16	7.5	4.8	3.2	2.8	4.2	12
2SN-5-T	5	4	M2	1000	16	7.5	5.8	3.9	2.8	4.2	12
2SN-6-T	6	4	M2	900	16	7.5	6.8	4.5	2.8	4.2	12



### Example of usage



M4:P=0.7

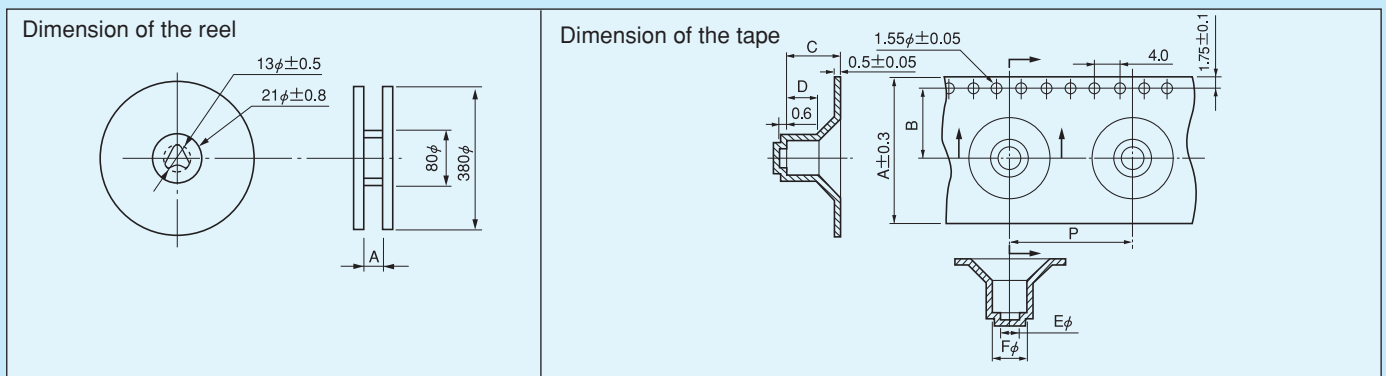
M3:P=0.5

M2.6:P=0.45

M2:P=0.4

For surface mounting

### Dimension of the reel



- Please consult with the machine manufacturer for the adsorption nozzle.