

Adjustment part terminal for surface mounting [SJ series]

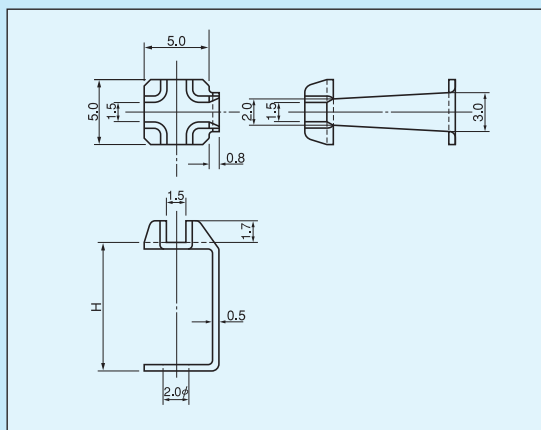
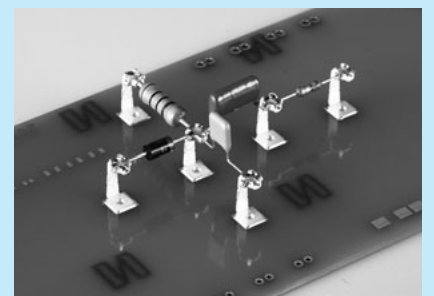
- This is used for fitting a lead type part to a surface mounting board.
Please solder by placing the part on it.
- Please adsorb the inner flat part. (Please use the adsorption nozzle of $\phi 2$ or less and consult the details with the mounter manufacturer.)
- Material: Copper
- Finish: Tin plating over nickel base
- Rated current: 20A



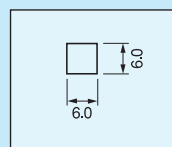
Part number

Part number	H	Package
SJ-5	5	Bulk (1000pcs/pack)
SJ-5-T	5	Reel (400pcs/reel)
SJ-10	10	Bulk (1000pcs/pack)
SJ-10-T	10	Reel (250pcs/reel)

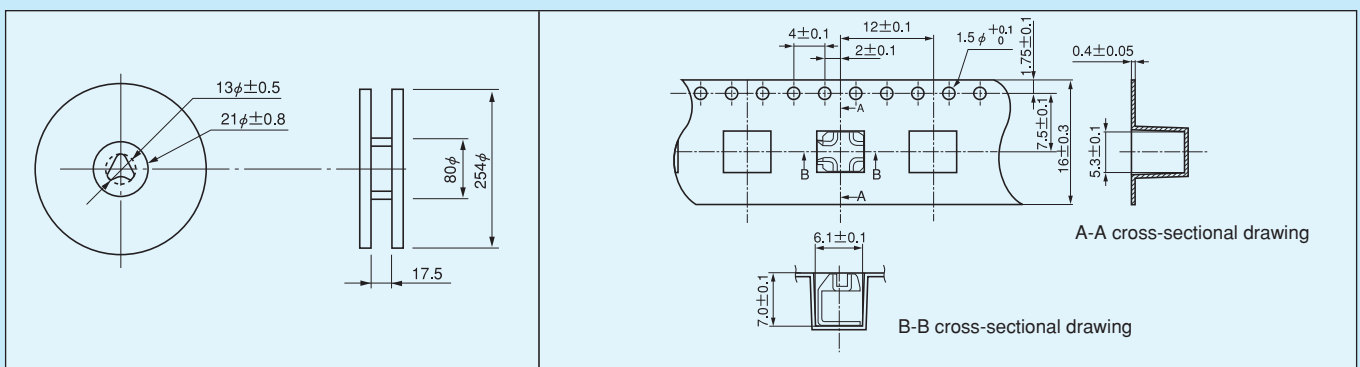
Example of usage



Recommended land diameter



SJ-5-T



SJ-10-T

