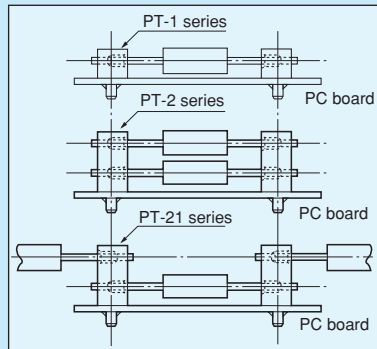


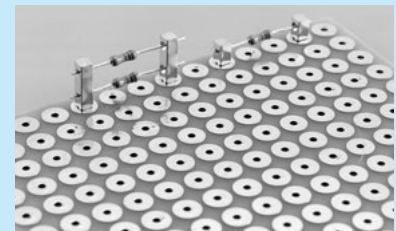
Side socket [PT series] (100pcs/pack)

- This socket can be inserted from the side.
- Three types: one-tiered type, two-tiered type and the type for inserting from opposite directions, are available.
- This is used for adjusting the lead type parts such as resistor and capacitor.
- This can be also fit to OP series.
- Material Body: Brass
Contact: Beryllium copper
- Finish Body: Gold plating over nickel base
Contact: Gold plating over nickel base
- Rated current:
PT-□-0.6.....2A
PT-□-0.8.....5A
PT-□-1.0.....5A
- Contact resistance: 10mΩ or less
- Insertion / removal frequency: 100 times or over
- Insertion / removal forces: 70g or over
- Operating temperature range: -40 to +125°C

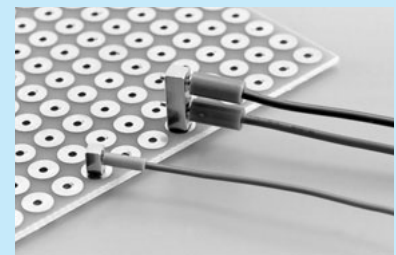
Example of usage



Example of usage

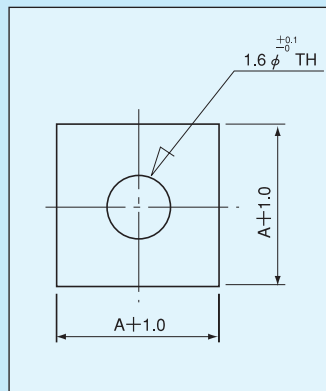


Case of fitting a resistor

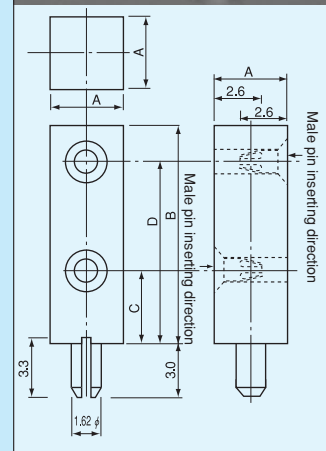
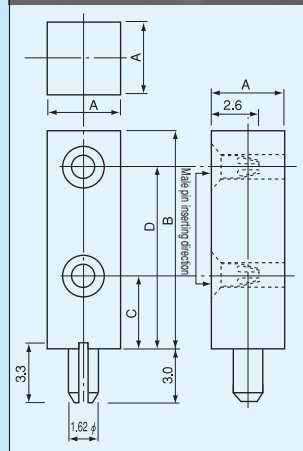
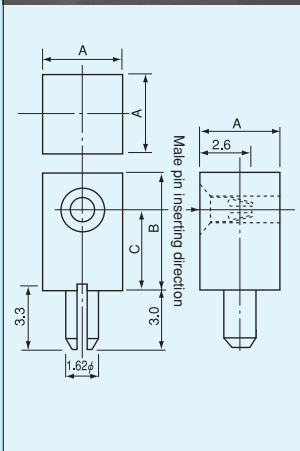
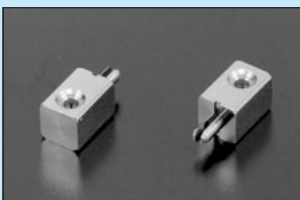


Case of fitting OP series

Recommended land diameter



Part number (100pcs/pack)



Part number	A	B	C	Adaptive male pin diameter
PT-1-0.6	3	5	3	φ 0.45 to φ 0.6
PT-1-0.8	4	6	4	φ 0.6 to φ 0.8
PT-1-1.0	4	6	4	φ 0.8 to φ 1.0

Part number	A	B	C	D	Adaptive male pin diameter
PT-2-0.6	3	11	3	9	φ 0.45 to φ 0.6
PT-2-0.8	4	12	4	10	φ 0.6 to φ 0.8
PT-2-1.0	4	12	4	10	φ 0.8 to φ 1.0

Part number	A	B	C	D	Adaptive male pin diameter
PT-21-0.6	3	11	3	9	φ 0.45 to φ 0.6
PT-21-0.8	4	12	4	10	φ 0.6 to φ 0.8
PT-21-1.0	4	12	4	10	φ 0.8 to φ 1.0

* Please implement soldering securely to the height of part surface.