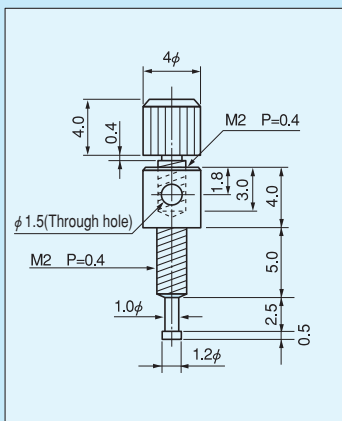
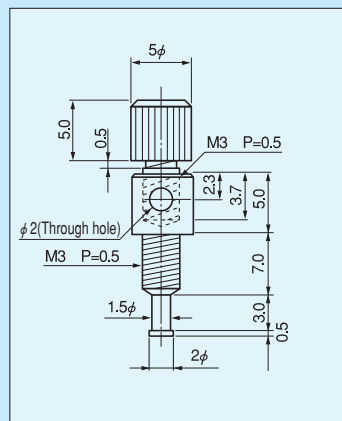


**For earth wire installation [Part number: PG-1-1, PG-1-2, PG-1-3] (10pcs/pack)**

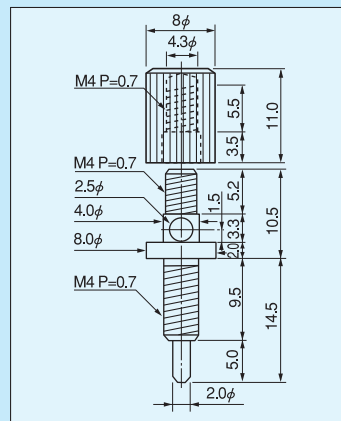
- This is used for pulling out the earth wire from a panel.
- Material: Brass
- Finish: Nickel plating
- Thickness of panel that can be fit: 0.5 mm to 2.0 mm(PG-1-1)  
0.5 mm to 3.0 mm(PG-1-2)  
1.0 mm to 4.0 mm(PG-1-3)
- Panel fitting hole diameter: PG-1-1:  $\phi$  2.1  
PG-1-2:  $\phi$  3.2  
PG-1-3:  $\phi$  4.2



PG-1-1



PG-1-2

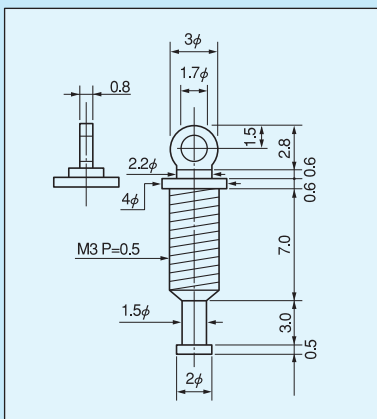


PG-1-3

★ This product includes nut, SW and flat W.

**For earth check [Part number: PG-2-1] (10pcs/pack)**

- This is used for fitting to a panel, hooking an oscilloscope probe on the earth side, etc.
- Material: Brass
- Finish: Nickel plating
- Thickness of panel that can be fit: 0.5 mm to 3.0 mm
- Panel fitting hole diameter:  $\phi$  3.2



PG-2-1

★ This product includes nut, SW and flat W.