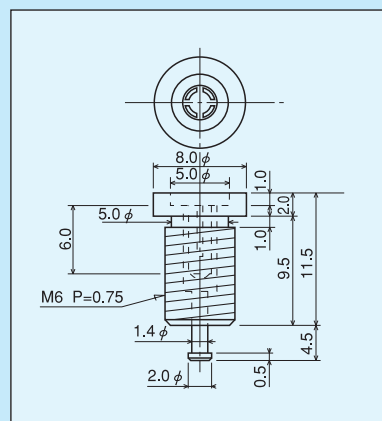


## Socket type (fluorine type) (for $\phi$ 2.0) [Part number: PF-9-1] (10pcs/pack)

- This is used for taking out high frequency, etc. to the outside via a panel.
- OP-7-1, OP-7-2 and OP-7-2-100 (with electric wire) are adaptive for the male side.
- Material Socket part: Phosphor bronze  
Resin part: Fluorine (UL94V-0)  
Nut part: Brass
- Finish Socket part: Gold plating over nickel base  
Nut part: Nickel plating
- Resin color: Black, red, yellow, blue, green and white
- Adaptive male pin diameter:  $\phi$  2.0
- Insertion forces: 1000g or less
- Removal forces: 100g or over
- Insertion / removal frequency: 1000 times or over
- Rated current: 10A
- Contact resistance: 20m $\Omega$  or less
- Insulation resistance: 500M $\Omega$  or over
- Withstand voltage: 2000V AC, DC per minute
- Operating temperature range:  $-50$  to  $+180^{\circ}\text{C}$
- Range within which a panel can be fit: 1.0 mm to 5.0 mm
- Panel fitting hole diameter:  $\phi$  6.1



### How to order

PF-9-1 Red



Please specify the color.(Black, red, yellow, blue green or white)

### Instructions for use

- Please use this product with the tightening torque of 0.7kg.f.cm (7.0 N.cm) or less for fitting.
- As fluorine is soft, it can be tightened easily.  
Please finish tightening when it is tightened securely.
- Please attach a screw lock after tightening with a screw.

### Example of usage

