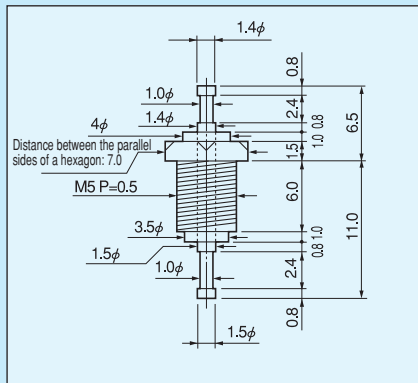
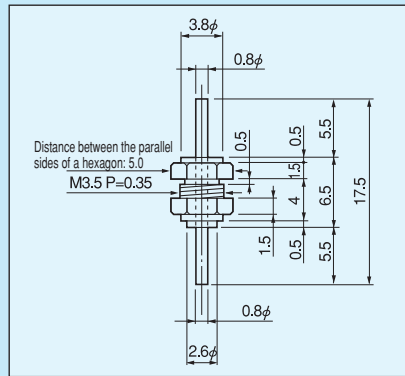


For check (fluorine type) [Part number: PF-1-1, PF-1-2] (10pcs/pack)

- This is used for checking of high frequency, etc. by taking out on a panel.
- Material Resin part: Fluorine (milky white) (UL94V-0)
Pin part: Brass, Gold plating over nickel base
Nut part: Brass, Nickel plating
- With M5 nut
- Thickness of panel that can be fit: 0.5 mm to 3.0 mm (PF-1-1)
0.5mm to 2.0mm (PF-1-2)
- Panel fitting hole diameter: ϕ 5.2、 ϕ 3.7



PF-1-1



PF-1-2

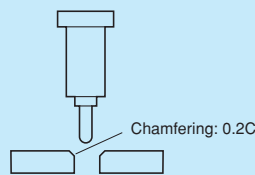
Socket (fluorine type) [Part number: PF-5-1, PF-6-1, PF-7-1] (10pcs/pack)

- This is used for taking out high frequency, etc. to the outside via a panel.
- Material Resin part: Fluorine (milky white) (UL94V-0)
Metal part: Phosphor bronze, Gold plating over nickel base
- Fitting method: Press-fitting type
- Thickness of panel that can be fit: 2.0 mm to 5.0 mm



Fitting method

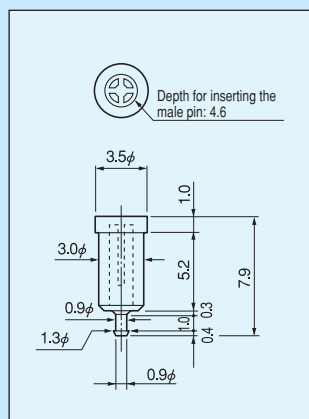
- Press-fit vertically.
- Chamfer the inlet 0.2C.
- Perform a hole drilling test prior to use.



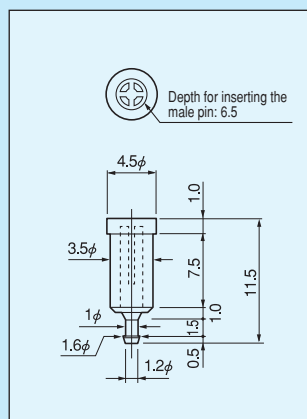
Part number	Adaptive male pin diameter (ϕ)	Panel fitting hole diameter (ϕ)	Adaptive plug
PF-5-1	1.0	ϕ 2.9 ⁺⁰ _{-0.05}	OP-5-1、OP-6-1
PF-6-1	1.0	ϕ 3.4 ⁺⁰ _{-0.05}	OP-6-1、OP-5-1
PF-7-1	2.0	ϕ 4.6 ⁺⁰ _{-0.05}	OP-7-1

Specification (PF series)

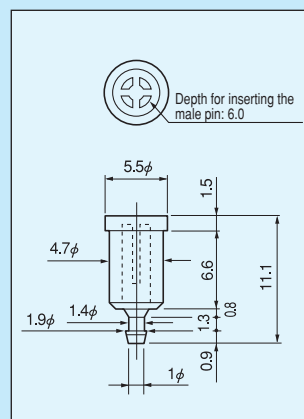
- Rated current: PF-1-1:5A
PF-5-1:5A
PF-6-1:5A
PF-7-1:10A
- Withstand voltage: 2000V DC, AC per minute
- Insulation resistance: 500M Ω or over
- Operating temperature range: -50 to 180°C
- Contact resistance: 10m Ω or less



PF-5-1



PF-6-1



PF-7-1