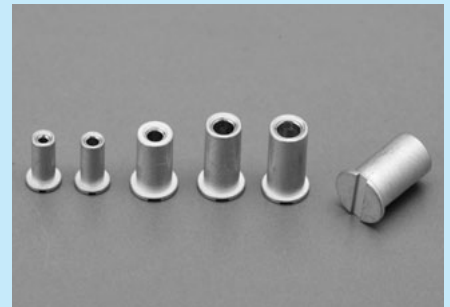


Socket pin for surface mounting [PDS series]

- This socket pin can be fit to a board for surface mounting.
- Please check the adaptive male pin diameter prior to use.
- An adsorption seal is not attached. Please conduct adsorption as it is.
- Material Body: Brass
Contact: Beryllium copper
- Finish: Body: Tin plating over nickel base
Contact: Gold plating over nickel base



Part number

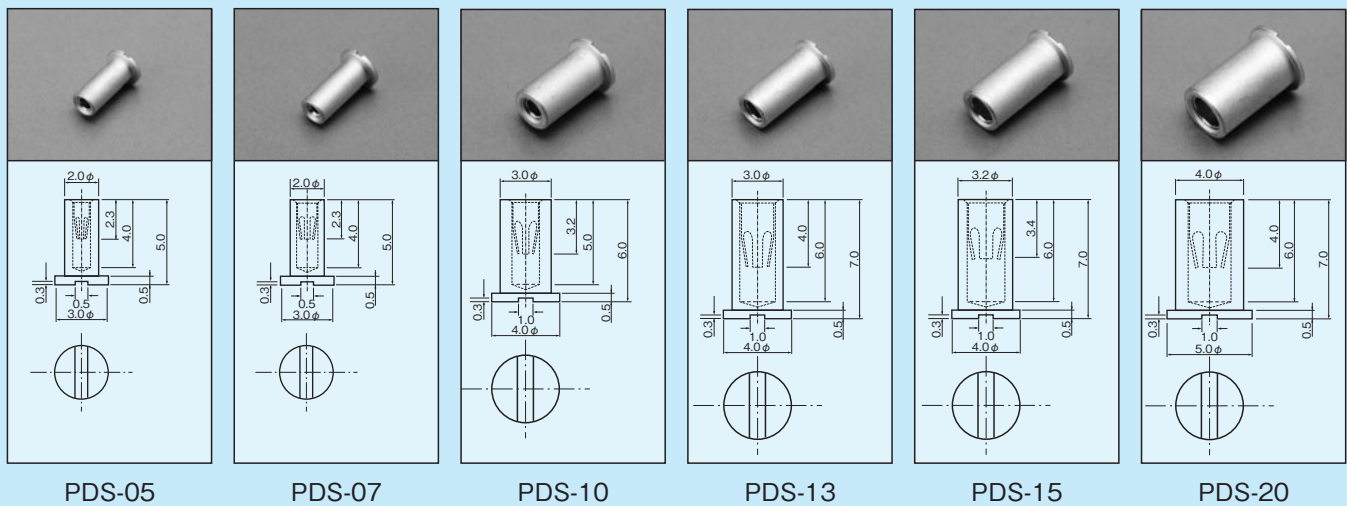
Part number	Adaptive male pin diameter (φ)	Male pin insertion depth (mm)	Recommended fitting land diameter (φ)	Package
PDS-05	0.4 to 0.6	4.0	4.0 or over	Reel (350pcs/reel)
PDS-07	0.6 to 0.8、0.64□	4.0	4.0 or over	Reel (350pcs/reel)
PDS-10	0.8 to 1.15	5.0	5.0 or over	Reel (400pcs/reel)
PDS-13	1.2 to 1.45	6.0	5.0 or over	Reel (400pcs/reel)
PDS-15	1.3 to 1.6	6.0	5.0 or over	Reel (400pcs/reel)
PDS-20	1.7 to 2.05	6.0	6.0 or over	Reel (400pcs/reel)

How to order separate item

Example: PDS-05-B (100pcs/pack)

↑ Please put -B.

Dimension



For surface mounting

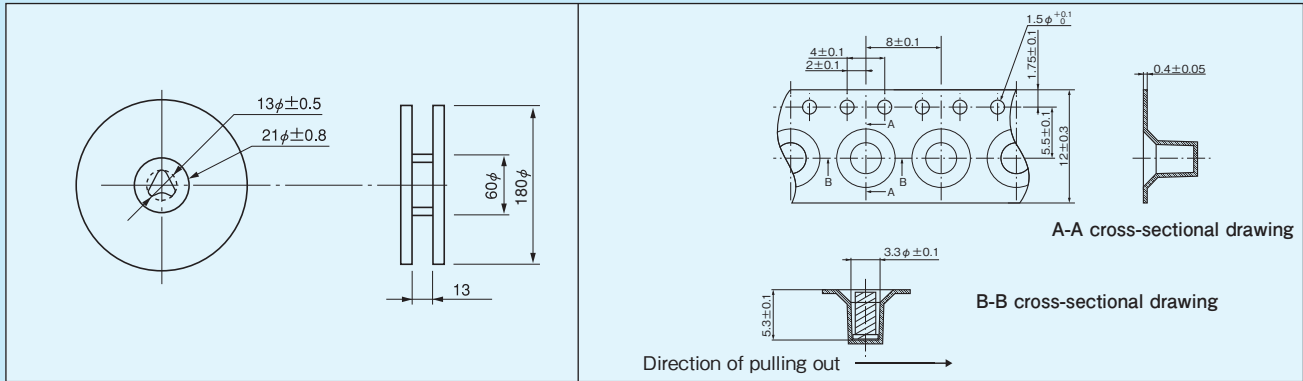
Specification

Item	Part number	PDS-05	PDS-07	PDS-10	PDS-13	PDS-15	PDS-20
Rated current(A)		1	3	5	15	15	20
Contact resistance(10mΩ or less)		←	←	←	←	←	←
Operating temperature range(-40~+125°C)		←	←	←	←	←	←
Insertion/removal frequency (100 times or over)		←	←	←	←	←	←
Insertion/removal forces (g or over)		70	70	70	100	100	150

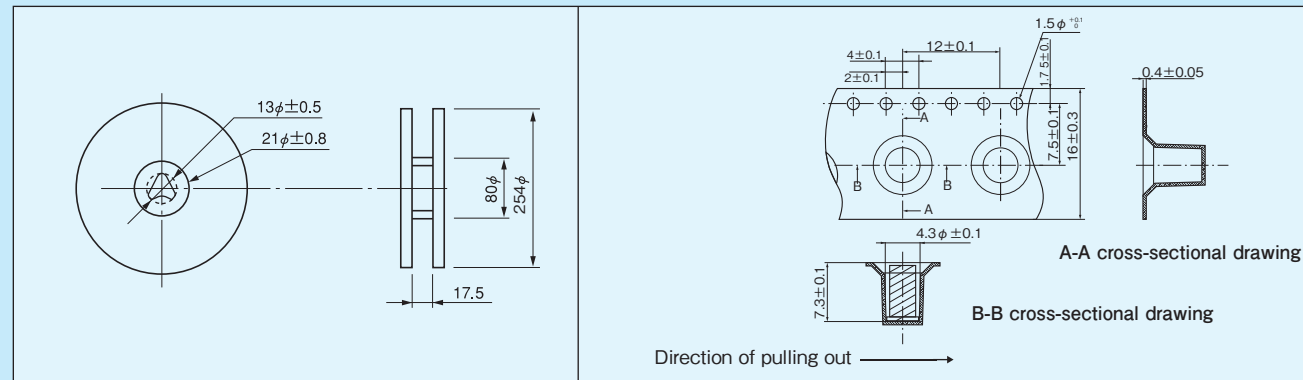
Socket pin for surface mounting [PDS series] Dimension of the reel

Dimension of the reel

PDS-05 PDS-07



PDS-10 PDS-13 PDS-15



PDS-20

