

**For insertion / removal of two-tiered type (Pitch: 2.54 mm) [OY series] (10pcs/pack)**

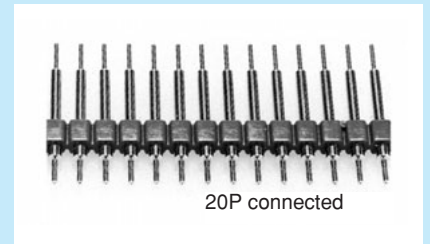
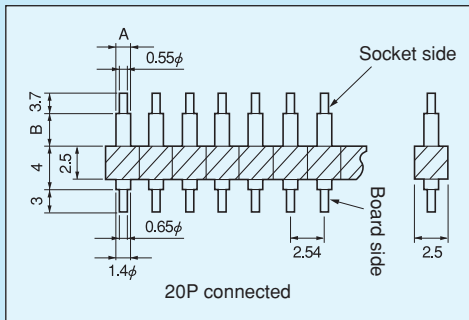
- This is used for mounting PC boards by two-tiered installation.
- Pitch: 2.54 mm, 20P connected
- Please cut it by using a mold cutting nipper (Part number: MOC-3)
- Material Pin: Brass, Finish: Gold plating over nickel base  
Resin: PBT red, black (We offer two colors.) (UL94V-0)
- Operating temperature range: -40 to +125°C
- Adaptive socket: PD-1, PM-1

**How to order:**

OY-002 black ← If this is not specified, red will be specified.

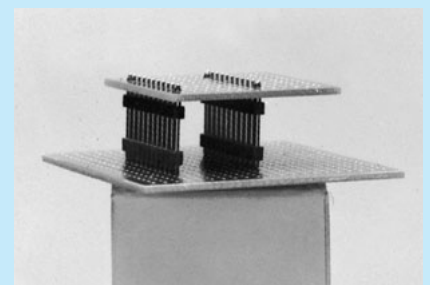
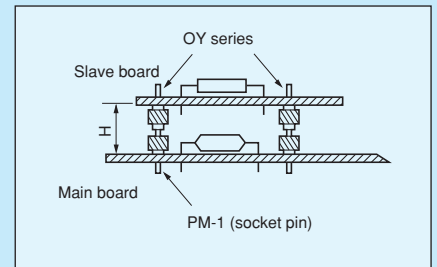
Part number	A (φ)	B	H	Printed board fitting hole diameter
OY-002	0.55	0	8.18	φ 0.8
OY-003	1.2	1.82	10	φ 0.8
OY-004	1.2	4.32	12.5	φ 0.8
OY-005	1.2	6.82	15	φ 0.8
OY-006	1.2	11.82	20	φ 0.8

\* The dimension H indicates the distance between the main board and the slave board when PD-1 or PM-1 is used.



20P connected

**Example of usage**



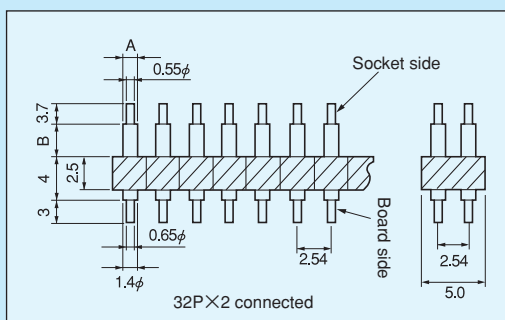
Please contact us when you need the number of poles larger than 20 pins connected.

**For insertion / removal of two-tiered type (two-row type) (Pitch: 2.54 mm) [OYW series] (10pcs/pack)**

- This is used for mounting PC boards by two-tiered installation.
- Pitch: 2.54 mm, 32P (32P×2) connected
- Material Pin: Brass, Finish: Gold plating over nickel base  
Resin: PBT black (UL94V-0)
- Operating temperature range: -40 to +125°C
- Adaptive socket: PM-100

Part number	A (φ)	B	H	Printed board fitting hole diameter
OYW-002	0.55	0	8.18	φ 0.8
OYW-003	1.2	1.82	10	φ 0.8
OYW-004	1.2	4.32	12.5	φ 0.8
OYW-005	1.2	6.82	15	φ 0.8
OYW-006	1.2	11.82	20	φ 0.8

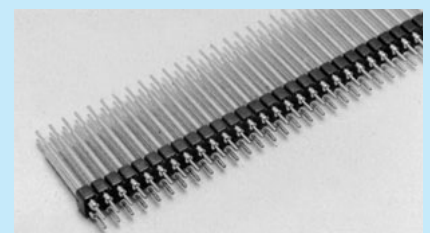
\* The dimension H indicates the distance between the main board and the slave board when PM-100 is used .



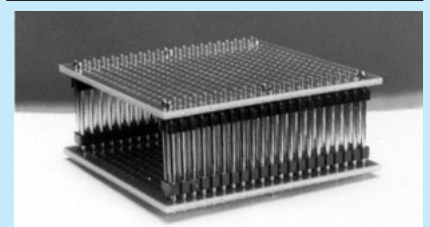
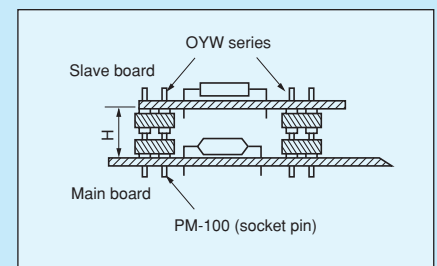
**How to order:**

OYW-002-10PW

Please fill in the number of poles on one side. (If the number of poles is not specified, we will deliver the maximum connected number, 32PW.)



**Example of usage**



For two-tiered installation