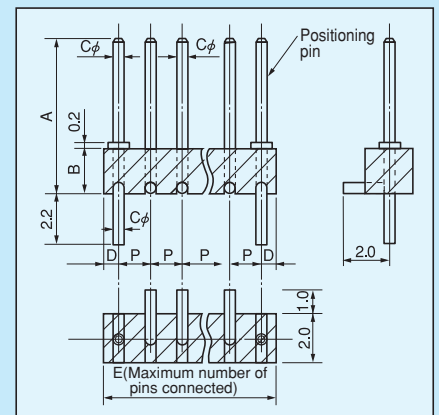
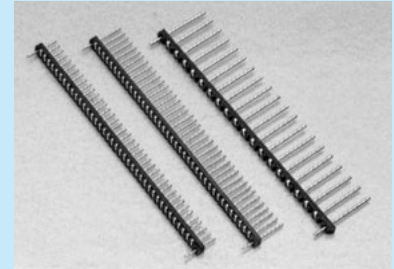


Connection pin for surface mounting (with positioning pin) [OQS series] (Pitch: 1.27, 1.778, 2.54 mm) (10pcs/pack)

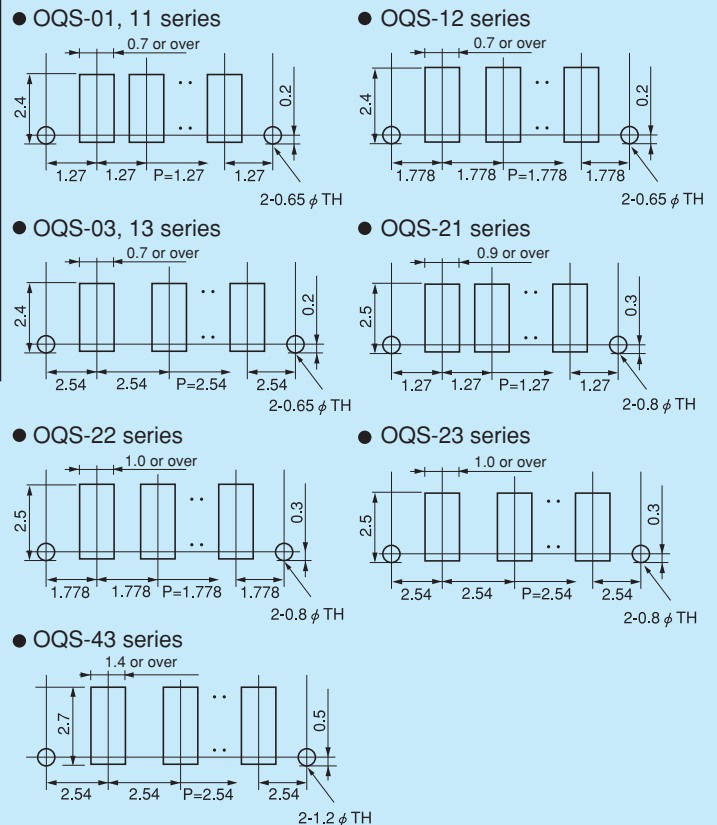
- This type allows easy positioning by putting positioning pins on both sides of OQ series.
- The specification is the same as OQ series.



Part number

Part number	A	B	C	D	E	P	Maximum number of pins connected
OQS-01-4.2	4.2	1.5	0.4	0.635	50.8	1.27	40
OQS-01-5	5	1.5	0.4	0.635	50.8	1.27	40
OQS-01-6.5	6.5	1.5	0.4	0.635	50.8	1.27	40
OQS-11-4.2	4.2	1.5	0.45	0.635	50.8	1.27	40
OQS-11-5	5	1.5	0.45	0.635	50.8	1.27	40
OQS-11-6.5	6.5	1.5	0.45	0.635	50.8	1.27	40
OQS-12-4.2	4.2	1.5	0.45	0.889	56.89	1.778	32
OQS-12-5	5	1.5	0.45	0.889	56.89	1.778	32
OQS-12-6.5	6.5	1.5	0.45	0.889	56.89	1.778	32
OQS-03-4.2	4.2	1.5	0.4	0.635	49.53	2.54	20
OQS-03-5	5	1.5	0.4	0.635	49.53	2.54	20
OQS-03-6.5	6.5	1.5	0.4	0.635	49.53	2.54	20
OQS-13-4.2	4.2	1.5	0.45	0.635	49.53	2.54	20
OQS-13-5	5	1.5	0.45	0.635	49.53	2.54	20
OQS-13-6.5	6.5	1.5	0.45	0.635	49.53	2.54	20
OQS-21-5	5	1.5	0.6	0.8	51.13	1.27	40
OQS-21-8	8	1.5	0.6	0.8	51.13	1.27	40
OQS-21-10	10	1.5	0.6	0.8	51.13	1.27	40
OQS-21-12	12	1.5	0.6	0.8	51.13	1.27	40
OQS-21-15	15	1.5	0.6	0.8	51.13	1.27	40
OQS-22-5	5	1.5	0.6	0.889	56.89	1.778	32
OQS-22-8	8	1.5	0.6	0.889	56.89	1.778	32
OQS-22-10	10	1.5	0.6	0.889	56.89	1.778	32
OQS-22-12	12	1.5	0.6	0.889	56.89	1.778	32
OQS-22-15	15	1.5	0.6	0.889	56.89	1.778	32
OQS-23-5	5	1.5	0.6	0.8	49.86	2.54	20
OQS-23-8	8	1.5	0.6	0.8	49.86	2.54	20
OQS-23-10	10	1.5	0.6	0.8	49.86	2.54	20
OQS-23-12	12	1.5	0.6	0.8	49.86	2.54	20
OQS-23-15	15	1.5	0.6	0.8	49.86	2.54	20
OQS-43-8	8	2.0	1.0	1.27	50.8	2.54	20
OQS-43-10	10	2.0	1.0	1.27	50.8	2.54	20
OQS-43-12	12	2.0	1.0	1.27	50.8	2.54	20
OQS-43-15	15	2.0	1.0	1.27	50.8	2.54	20

Recommended land diameter



How to order

OQS-11-4.2-10P

↑ Please fill in the desired number of poles.
(Please fill in the number of poles including the positioning pin.)
(With 8 pins as the face mounting pin and 2 pins as the positioning pin)

* If the number of pins is not specified, we will deliver by the maximum number of pins connected.

Instructions for mounting

In the case that a warpage occurs on the resin part during reflow because many pins are connected for use, apply an adhesive to several places.

For surface mounting