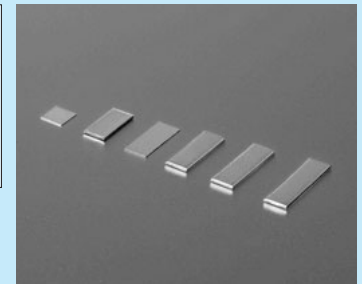
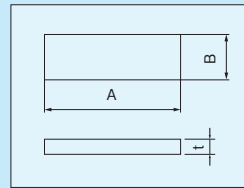
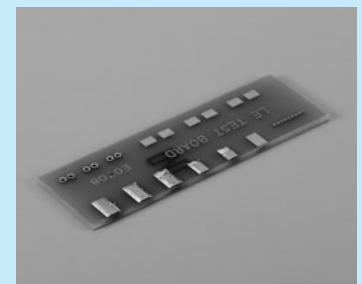


### Plate for surface mounting [NE series]

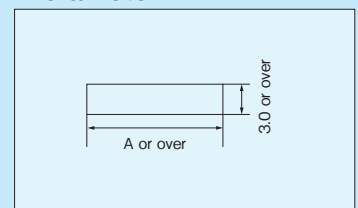
- Used for reinforcement at the contact point etc of surface mounting board.
- Use for jumper is possible.
- Material : Nickel
- Finish : Tin plating (No Tin plating at the both side-cut surface.)



#### Example of usage



#### Recommended land diameter

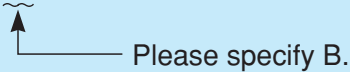


#### Part number

Part number	Dimension of tape							
	A	B	t	1reel	E	F	G	W
NE-0.1-3	3.0	3.0	0.1	3000pcs	3.3	5.5	12	13
NE-0.1-4	4.0	3.0	0.1	3000pcs	4.3	5.5	12	13
NE-0.1-5	5.0	3.0	0.1	3000pcs	5.3	5.5	12	13
NE-0.1-6	6.0	3.0	0.1	3000pcs	6.3	5.5	12	13
NE-0.1-7	7.0	3.0	0.1	3000pcs	7.3	7.5	16	17.5
NE-0.1-8	8.0	3.0	0.1	3000pcs	8.3	7.5	16	17.5
NE-0.1-9	9.0	3.0	0.1	3000pcs	9.3	7.5	16	17.5
NE-0.1-10	10.0	3.0	0.1	3000pcs	10.3	7.5	16	17.5
NE-0.15-3	3.0	3.0	0.15	3000pcs	3.3	5.5	12	13
NE-0.15-4	4.0	3.0	0.15	3000pcs	4.3	5.5	12	13
NE-0.15-5	5.0	3.0	0.15	3000pcs	5.3	5.5	12	13
NE-0.15-6	6.0	3.0	0.15	3000pcs	6.3	5.5	12	13
NE-0.15-7	7.0	3.0	0.15	3000pcs	7.3	7.5	16	17.5
NE-0.15-8	8.0	3.0	0.15	3000pcs	8.3	7.5	16	17.5
NE-0.15-9	9.0	3.0	0.15	3000pcs	9.3	7.5	16	17.5
NE-0.15-10	10.0	3.0	0.15	3000pcs	10.3	7.5	16	17.5
NE-0.4-3	3.0	3.0	0.4	3000pcs	3.3	5.5	12	13
NE-0.4-4	4.0	3.0	0.4	3000pcs	4.3	5.5	12	13
NE-0.4-5	5.0	3.0	0.4	3000pcs	5.3	5.5	12	13
NE-0.4-6	6.0	3.0	0.4	3000pcs	6.3	5.5	12	13
NE-0.4-7	7.0	3.0	0.4	3000pcs	7.3	7.5	16	17.5
NE-0.4-8	8.0	3.0	0.4	3000pcs	8.3	7.5	16	17.5
NE-0.4-9	9.0	3.0	0.4	3000pcs	9.3	7.5	16	17.5
NE-0.4-10	10.0	3.0	0.4	3000pcs	10.3	7.5	16	17.5

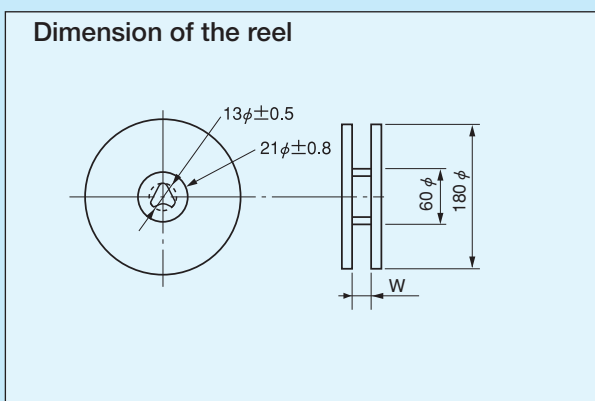
#### How to order bulk-package part

Example NE-0.1-5-B



- 100pcs/pack

#### Dimension of the reel



#### Dimension of the tape

