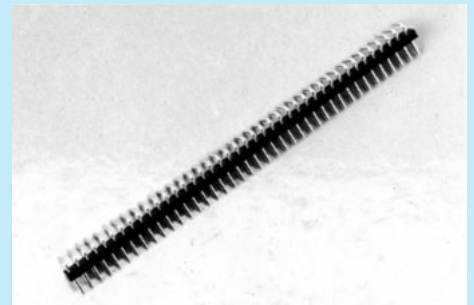
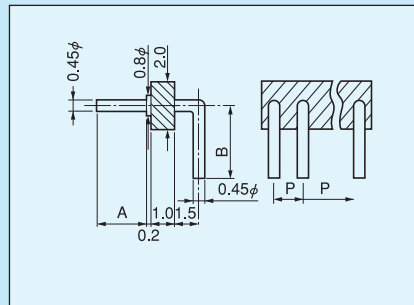


**Super-small angle type [MZ series (Pitch: 1.27 mm, 1.778 mm, 2.54 mm)] (10pcs/pack)**

- This is used for fitting a display at right angle.
- Three types, with a pitch of 1.27 mm, 1.778 mm, and 2.54 mm, are available.
- Material  
Resin part: PCT resin black (UL94V-0),  
Pin part: Phosphor bronze, Finish: Gold plating over nickel base
- Rated current: 2A
- Insulation resistance: 500MΩ or over
- Withstand voltage: 1000V AC, DC per minute  
700V AC, DC per minute  
(MZ-1-□ only)
- Operating temperature range: -40 to +125°C
- Printed board fitting hole diameter: φ 0.6



**Example of usage**



Part number	P	A	B	Number of pins connected
MZ-1-1	1.27	2.2	3.2	40P
MZ-1-2	1.27	3.0	4.0	40P
MZ-2-1	1.778	2.2	3.2	30P
MZ-2-2	1.778	3.0	4.0	30P
MZ-3-1	2.54	2.2	3.2	20P
MZ-3-2	2.54	3.0	4.0	20P

**How to order: MZ-1-1-10P**

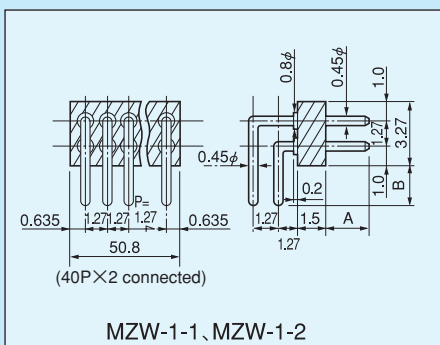
Please fill in the number of poles.

(If the number is not specified, we will deliver the part of the maximum number of connection.)

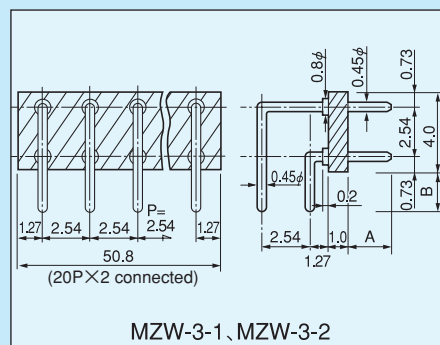
Angle type

**Super-small angle type (two-row type) [MZW series] (10pcs/pack)**

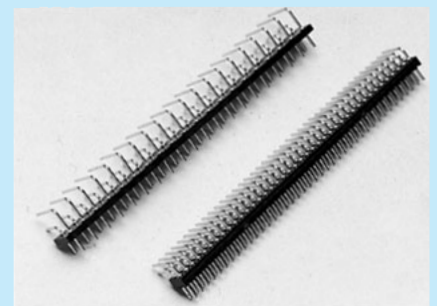
- This is used for putting PC boards at right angle.
- Pitch: 1.27 mm and 2.54 mm
- The specification is the same as that of MZ series described above.



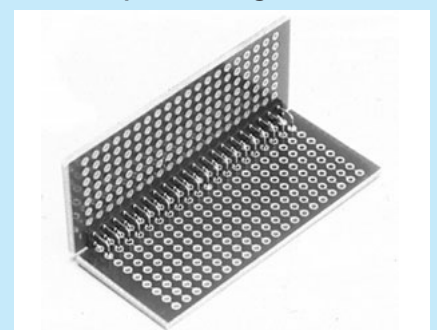
Part number	A	B
MZW-1-1	2.2	2.2
MZW-1-2	3.0	3.0



Part number	A	B
MZW-3-1	2.2	2.2
MZW-3-2	3.5	3.5



**Example of usage**



**How to order:**

MZW-1-1-10PW

Please fill in the number of poles on one side.  
MZW-1-1: Max. 40 PW    MZW-3-1: Max. 20PW  
(If the number is not specified, we will deliver by the maximum number of pins connected.)