

**Pitch conversion pin [MV series] (10pcs/pack)**

- This is used for handling a mistake in the pitch width of a PC board or for converting the pitch width.
- Various usages are available.
- Two types, with a pitch of 1.27 mm and 2.54 mm are available.
- Two types, with a pitch width 2.54mm and 5.08mm are available.
- Material Resin part: PCT black (UL94V-0)  
Pin part: Phosphor bronze,
- Finish: Gold plating over nickel base
- Rated current: 2A
- Insulation resistance:500MΩ or over
- Withstand voltage: 1000V AC, DC per minute(MV-3□-□series)  
700V AC, DC per minute (MV-1□-□series)
- Printed board fitting hole diameter: φ 0.6

■ How to order:

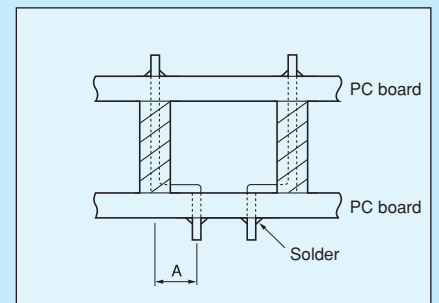
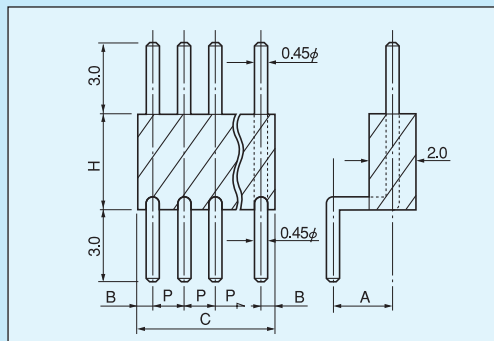
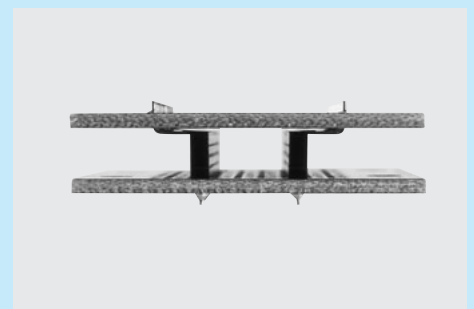
MV-13-3-10P



Please fill in the number of poles.  
(If the number is not specified, we will deliver the part of the maximum number of connection.)



■ Example of usage



Part number	H	A	B	C	P	Maximum number of poles connected
MV-13-3	3	2.54	0.635	50.8	1.27	40P
MV-13-4	4	2.54	0.635	50.8	1.27	40
MV-13-5	5	2.54	0.635	50.8	1.27	40
MV-16-3	3	5.08	0.635	50.8	1.27	40
MV-16-4	4	5.08	0.635	50.8	1.27	40
MV-16-5	5	5.08	0.635	50.8	1.27	40
MV-33-3	3	2.54	1.27	50.8	2.54	20
MV-33-4	4	2.54	1.27	50.8	2.54	20
MV-33-5	5	2.54	1.27	50.8	2.54	20
MV-36-3	3	5.08	1.27	50.8	2.54	20
MV-36-4	4	5.08	1.27	50.8	2.54	20
MV-36-5	5	5.08	1.27	50.8	2.54	20

For two-tiered installation