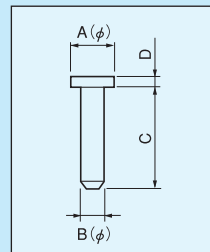


Terminal for repairing of printed board [RT, PS series] (1000pcs/pack)

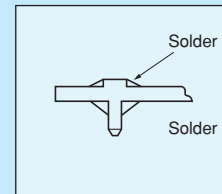
- This terminal is used for repairing a defective through hole for upper and lower electric connection on a PC board.
- After putting this into the defective through hole, please solder both from the part face and the solder face sides.
- Material: Brass
- Finish: Tin plating over nickel base



Part number	A	B	C	D	Printed board fitting hole diameter (ϕ)
RT-1-1	0.4	0.25	3.2	0.12	0.3
RT-1-2	0.4	0.25	5.0	0.12	0.3
RT-1-3	0.4	0.25	5.5	0.12	0.3
RT-2-1	0.5	0.35	3.2	0.2	0.4
RT-3-1	1.0	0.7	3.2	0.3	0.8
PS-1-1	1.2	0.7	3.7	0.3	0.8
PS-1-2	2.0	0.7	3.7	0.3	0.8



Dimension



Example of usage

For repair

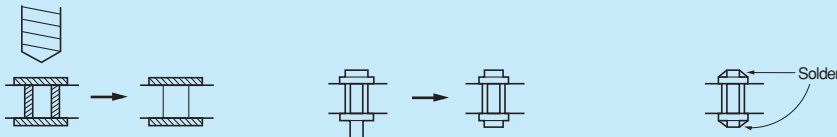
Terminal for repairing multilayer board [MR series] (1000pcs/pack)

- This terminal is used for repairing inner layer short of a multilayer board.
- How to use

(1) Drill a hole with a gimlet on a through hole part with an inner layer short, and remove the plating part.

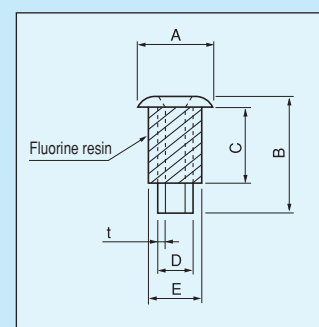
(2) Insert and caulk MR series pin in the hole.

(3) Solder both from the part face and soldering face sides.



- As the pattern with the inner layer short is protected by the fluorine resin, it is insulated with the pin.
- Material Pin part: Brass
Resin part: Fluorine resin milky white
- Finish: Gold plating over nickel base
- Heat-resistant temperature:240°C

Part number	A	B	C	D	E	t	Adaptive printed board thickness	Printed board fitting hole diameter (ϕ)
MR-1-1	1.9	2.6	1.6	0.95	1.35	0.18	1.6mm	1.5
MR-1-2	2.0	2.6	1.6	1.15	1.55	0.18	1.6	1.7
MR-2-1	1.9	3.0	2.0	0.95	1.35	0.18	2.0	1.5
MR-2-2	2.0	3.0	2.0	1.15	1.55	0.18	2.0	1.7
MR-3-1	2.0	4.2	3.2	1.15	1.55	0.20	3.2	1.7



Caulking tool for MR series [Part number: MRX-100] (1set/pack)



MRX-1



MRX-2



MRX-3

This tool includes each one piece of the shown on left products

How to use

