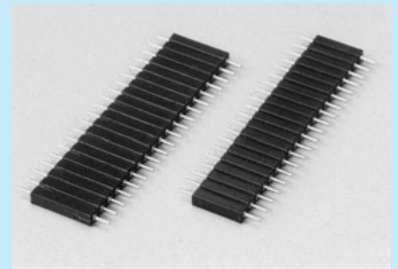
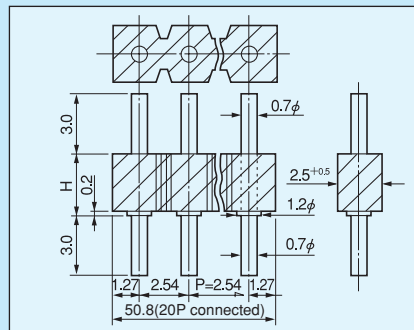


For two-tiered installation (fixed type, connected type) (Pitch: 2.54 mm) [ML series] (10pcs/pack)

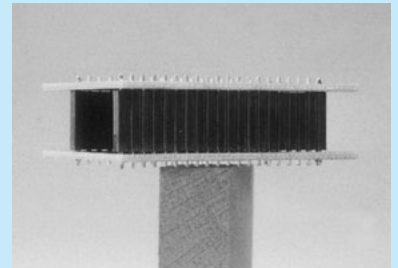
- This is used for mounting PC boards by two-tiered installation.
- This is soldered and fixed on the both sides.
- The pitch is 2.54 mm and the maximum number of connection is 20P.
- Material Resin part: PBT black (UL94V-0)
Pin part: Brass
- Finish: Gold plating over nickel base
- Rated current: 4A
- Insulation resistance: 500MΩ or over
- Withstand voltage: 1000V AC, DC per minute
- Operating temperature range: -40 to +125°C
- Printed board fitting hole diameter: φ 0.9



Dimension



Example of usage



Part number

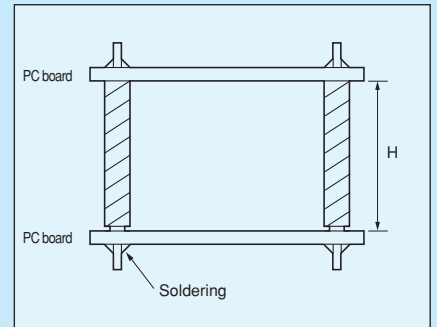
Part number	H (mm)
ML- 1.2	1.2
ML- 2	2
ML- 3	3
ML- 4	4
ML- 5	5
ML- 6	6
ML- 7	7
ML- 8	8
ML- 9	9
ML-10	10
ML-12.5	12.5
ML-15	15
ML-17.5	17.5
ML-20	20
ML-25	25
ML-30	30

How to order:

ML-10-15P

Please fill in the number of poles.
(Maximum number: 20P)

(If the number is not specified, we will deliver the part of the maximum number of connection.)



For two-tiered installation

Angle type (fixed type) (Pitch: 2.54 mm) [Part number: MLZ-001] (10pcs/pack)

- This is used for mounting the printing boards at right angle.
- The both sides are soldered and fixed.
- The pitch is 2.54 mm and the maximum number of connection is 20P.
- Material Resin part: PBT black (UL94V-0)
Pin part: Phosphor bronze
- Finish: Gold plating over nickel base
- The electrical specification is the same as that of ML series described above.
- Printed board fitting hole diameter: φ 0.9

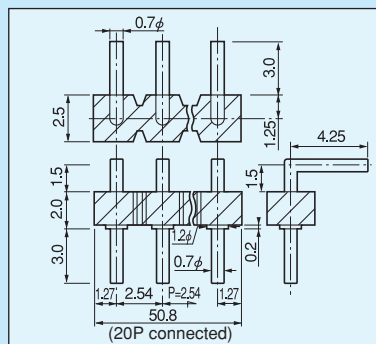
Part number: MLZ-001

How to order:

MLZ-001-10P

Please fill in the number of poles.
(Maximum number: 20P)

(If the number is not specified, we will deliver the part of the maximum number of connection.)



Example of usage

