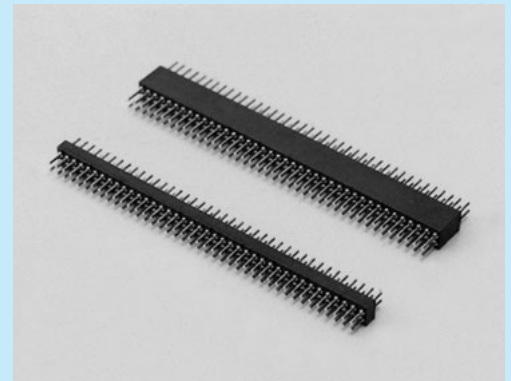
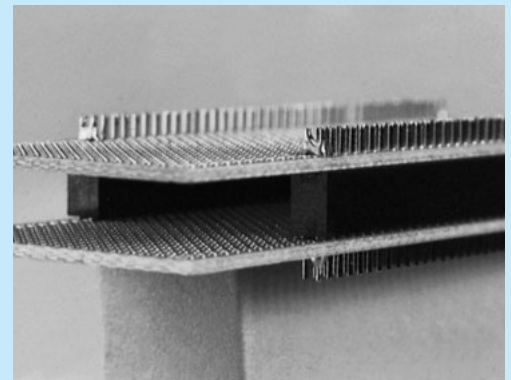


Super-small terminal for two-tiered installation [fixed type] [MBW-1 series] (Pitch: 1.27 mm) (10pcs/pack)

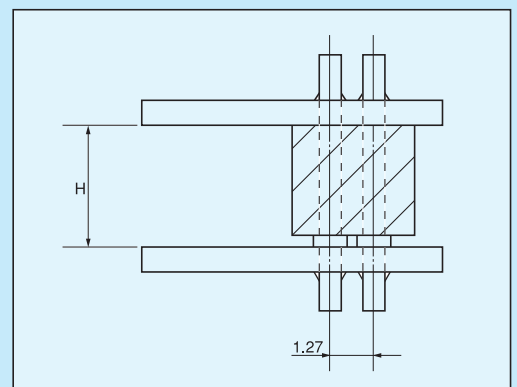
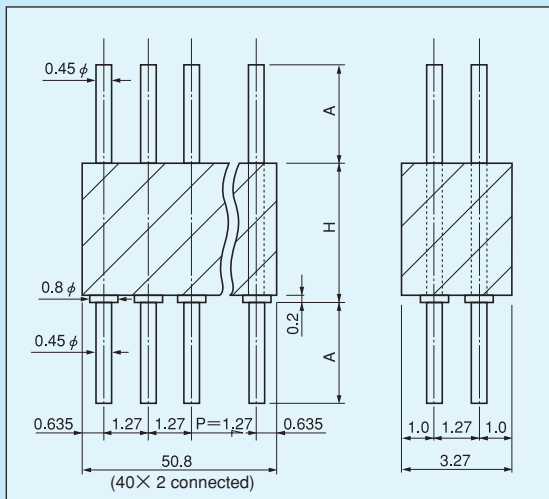
- This is used for mounting PC boards by two-tiered installation.
- The two boards are fixed by soldering.
- This terminal has two rows with a pitch of 1.27 mm and the maximum number of poles is 40PW.
- The height ranges from 2.0 mm to 5.0 mm
- Material
 - Resin part: PPS resin black (UL94V-0)
 - Pin part: Phosphor bronze,
- Finish: Gold plating over nickel base
- Rated current: 2A
- Insulation resistance: 500MΩ or over
- Withstand voltage: 700V AC, DC per minute
- Operating temperature range: -40 to +125°C
- Printed board fitting hole diameter: φ 0.6



Example of usage



Dimension



Part number

Part number	A	H
MBW-1-2.0	2.2	2.0
MBW-1-2.5	2.2	2.5
MBW-1-3.0	2.2	3.0
MBW-1-3.5	2.2	3.5
MBW-1-4.0	2.2	4.0
MBW-1-4.5	3.0	4.5
MBW-1-5.0	3.0	5.0

How to order:

MBW-1-2.0-10PW

↑
Please fill in the number of poles on one side. (In this case, the total number of pins is 20P.)
(If the number of poles is not specified, we will deliver 40PW, the maximum number of poles.)

For two-tiered installation