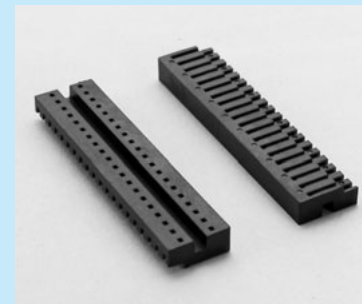


LED spacer (two-tiered connected type) [Part number: LWR-1] (10pcs/pack)

- This spacer is used for an LED with the head diameter of $\phi 3$ or $\phi 5$.
- This can fit and connect LEDs by two-tiered installation.
- Please insert an LED to this spacer and bend the leg at right angle.
- Material: PPS resin (UL94V-0)
- Color: Black
- Reflow: Can be used.
- Operating temperature range: -40 to $+125^{\circ}\text{C}$



■ **Part number: LWR-1**

■ **How to order**

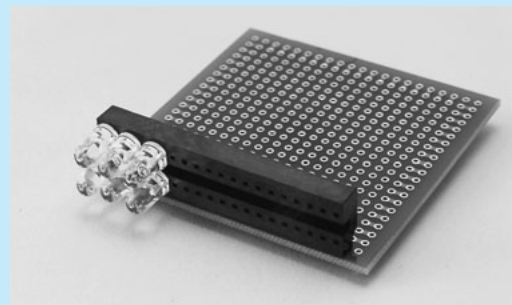
LWR-1-4PW



Please specify the number of poles on one side.
If the number is not specified, we will deliver 20PW.
4PW can fit a total of four pieces of normal LED (with a pitch of 2.54 mm and two legs), by fitting two pieces respectively to the upper line and the lower line.

- We will receive order from 4PW.
- Please order LW-1 if you need 2PW.

■ **Example of usage**

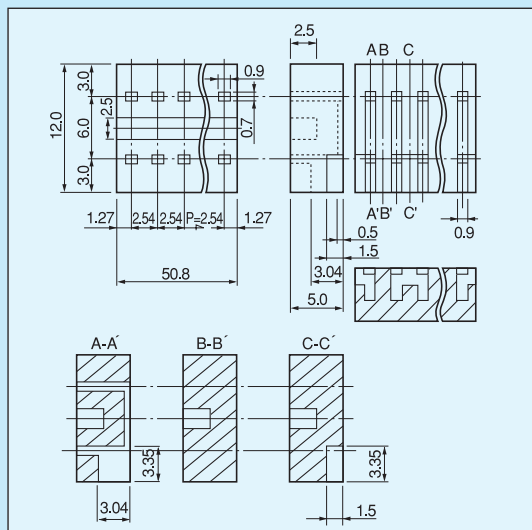


For LED

* Instructions for placing an order

The number of poles indicates the number of holes on one side and it does not mean the number of LEDs to fit.

In the case of 10PW, the number of LEDs that can be fit is totally 10 pieces, by fitting 5 pieces respectively to the upper line and the lower line.



■ **Example of usage**

