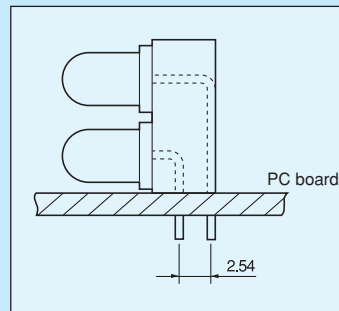
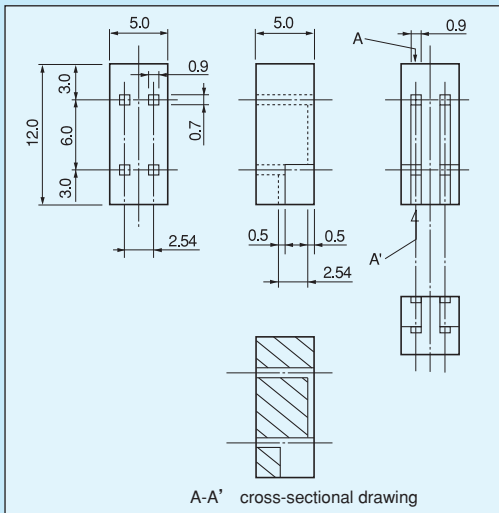


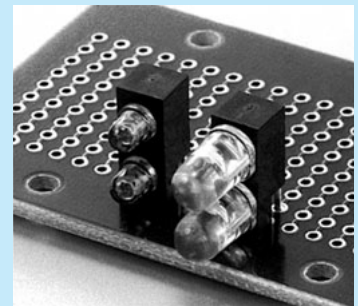
**LED spacer (two-tiered installation type) [Part number: LW-1] (100pcs/pack)**

- This is used for an LED with the head diameter of  $\phi 3$  or  $\phi 5$ .
- This is used for fitting LEDs by two-tiered installation.
- Please insert the LEDs to the spacer and bend the legs at right angle.
- Material: PBT resin (UL94V-0)
- Color: Black
- Operating temperature range:  $-40$  to  $+125^{\circ}\text{C}$

■ Part number: LW-1



■ Example of usage

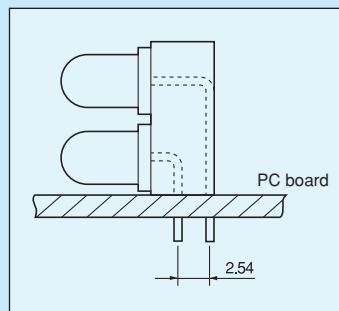
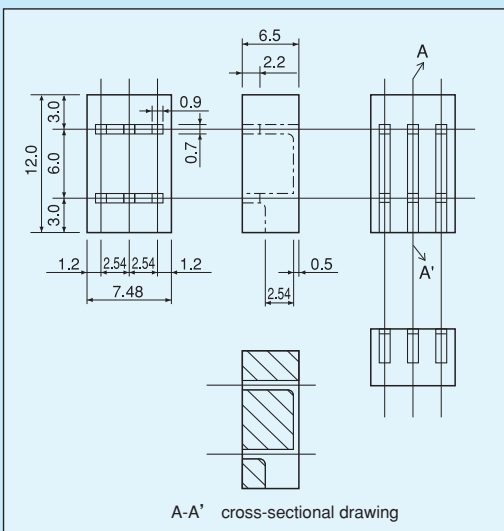


For LED

**LED spacer (two-tiered installation type) (three-legged type) [Part number: 3LW-1] (100pcs/pack)**

- This is used for fitting LEDs of dual-color emission type (three-legged type) by two-tiered installation.
- This is used for an LED with the head diameter of  $\phi 3$  or  $\phi 5$ .
- LED leg pitch: 2.5 mm, 2.54 mm
- Material: PPS resin (UL94V-0)
- Color: Black
- Reflow: Can be used.
- Operating temperature range:  $-40$  to  $+125^{\circ}\text{C}$

■ Part number: 3LW-1



■ Example of usage

