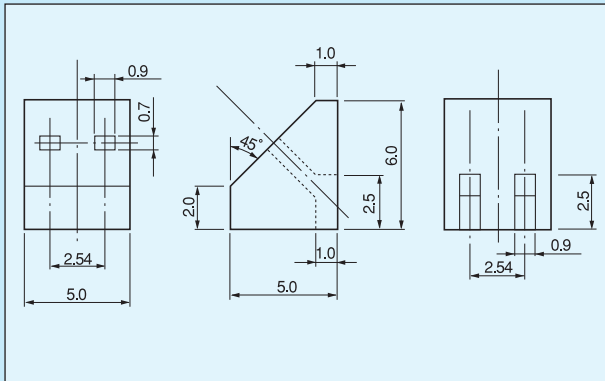


45-degree LED spacer [Part number: LT-6] (100pcs/pack)

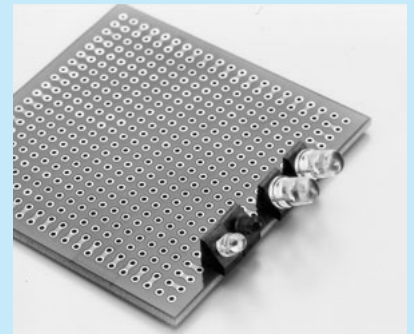
- This spacer is used for fitting an LED at 45 degrees.
- This is used for an LED with the head diameter of $\phi 3$ or $\phi 5$.
- Material: LCP resin (UL94V-0)
- Color: Black
- Reflow: Can be used.
- Operating temperature range: -40 to $+125^{\circ}\text{C}$



■ Part number:LT-6



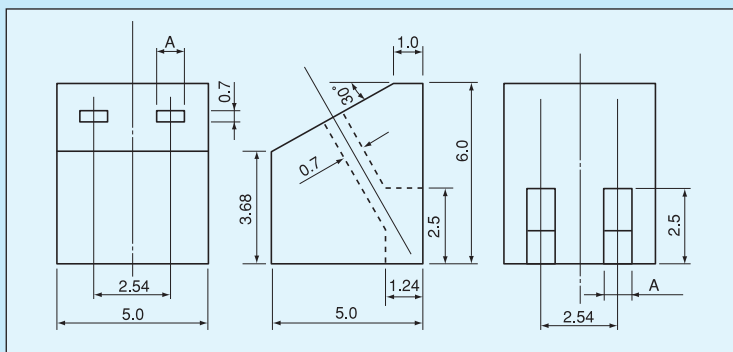
■ Example of usage



For LED

30-degree LED spacer [Part number: LT-6-30] (100pcs/pack)

- This spacer is used for fitting an LED at 30 degrees.
- This is used for an LED with the head diameter of $\phi 3$ or $\phi 5$.
- LT-6-30-1.5 is used for an LED with a stopper on the leg.
- Material: LCP resin (UL94V-0)
- Color: Black
- Reflow: Can be used.
- Operating temperature range: -40 to $+125^{\circ}\text{C}$



■ Part number

Part number	A
LT-6-30	0.9
LT-6-30-1.5	1.5



■ Example of usage

