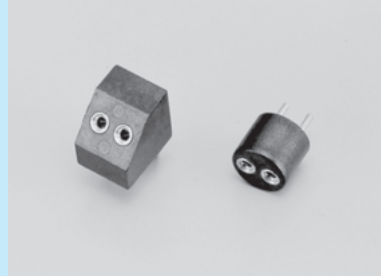
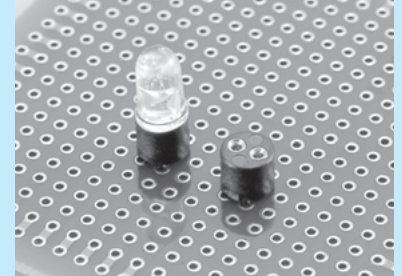


LED socket [LQ-1, LQ-45] (10pcs/pack)

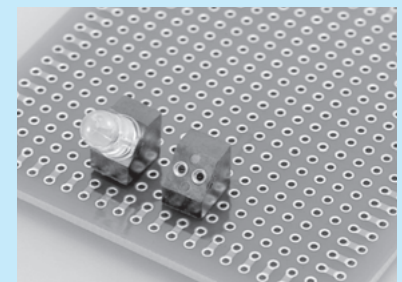
- This socket is for insertion an LED of ϕ 3 or ϕ 5.
- LQ-45 is tilted at 45 degrees.
- LQ-90 is tilted at 90 degrees.
- Material
 - Resin part: PPS black(UL94V-0)
 - Socket part Body: Brass
 - Contact: Beryllium copper
 - Finish: Gold plating over nickel base
- Rated current:3A(LQ-1、LQ-45、LQ-90)
1A(LQ-1-0.5、LQ-45-0.5、LQ-90-0.5)
- Contact resistance: 10 m Ω or less
- Insulation resistance: 500 M Ω or over
- Withstand voltage: 1000V AC, DC per minute
- Insertion / removal frequency: 100 times or over
- Insertion / removal forces: 140g or over
- Reflow: Can be used
- Operating temperature range: -40 to + 125 $^{\circ}$ C
- Printed board fitting hole diameter: ϕ 0.8



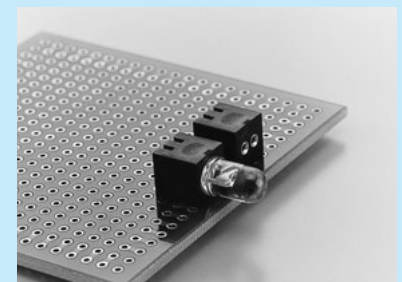
Example of usage



LQ-1
LQ-1-0.5



LQ-45
LQ-45-0.5

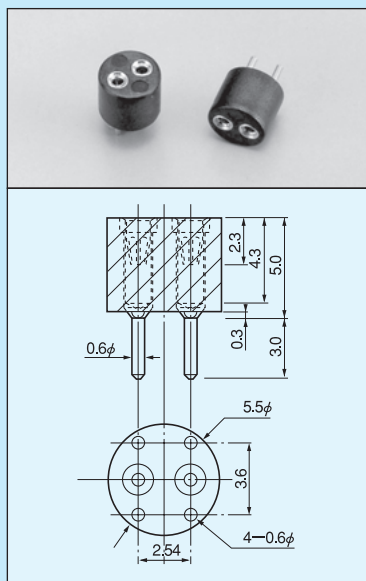


LQ-90
LQ-90-0.5

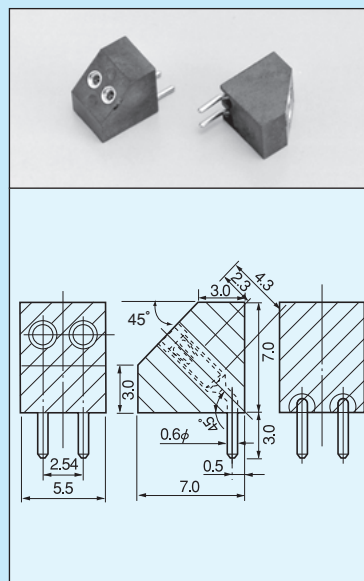
Part number (10pcs/pack)

Part number	Adaptive male pin diameter
LQ-1	0.5 \square 、0.64 \square 、0.6 to 0.8 ϕ
LQ-1-0.5	0.45 to 0.6 ϕ
LQ-45	0.5 \square 、0.64 \square 、0.6 to 0.8 ϕ
LQ-45-0.5	0.45 to 0.6 ϕ
LQ-90	0.5 \square 、0.64 \square 、0.6 to 0.8 ϕ
LQ-90-0.5	0.45 to 0.6 ϕ

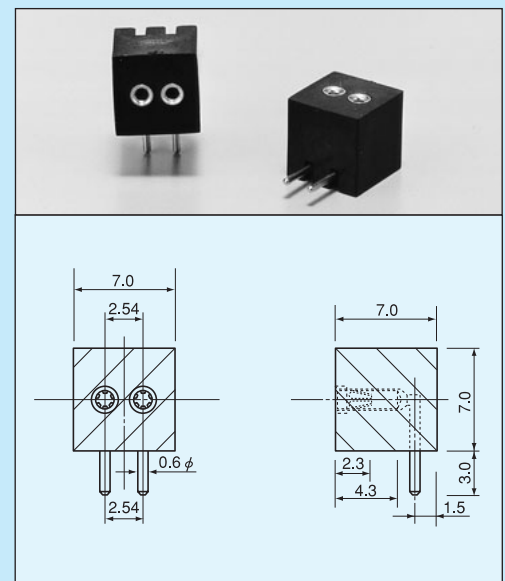
Dimension



Part number:LQ-1
LQ-1-0.5



Part number:LQ-45
LQ-45-0.5



Part number:LQ-90
LQ-90-0.5