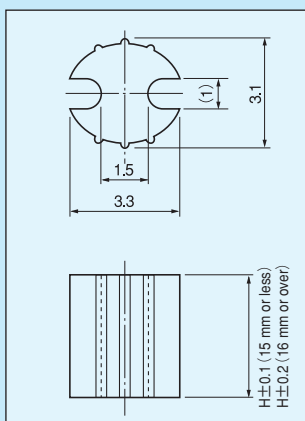


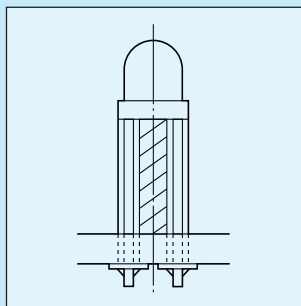
LED spacer [LK series] (100pcs/pack)

- This LED spacer can be used for an LED with the head diameter of ϕ 3.
- Material: Thermoplastic elastomer (UL94V-0)
- Color: Black
- Operating temperature range: -40 to $+125^{\circ}\text{C}$

Part number	H(mm)
LK-1	1
LK-1.5	1.5
LK-2	2
LK-2.5	2.5
LK-3	3
LK-3.5	3.5
LK-4	4
LK-4.5	4.5
LK-5	5
LK-5.5	5.5
LK-6	6
LK-6.5	6.5
LK-7	7
LK-7.5	7.5
LK-8	8
LK-8.5	8.5
LK-9	9
LK-9.5	9.5
LK-10	10
LK-11	11
LK-12	12
LK-13	13
LK-14	14
LK-15	15
LK-16	16
LK-17	17
LK-18	18
LK-19	19
LK-20	20



■ Example of fitting



■ Example of usage



For LED