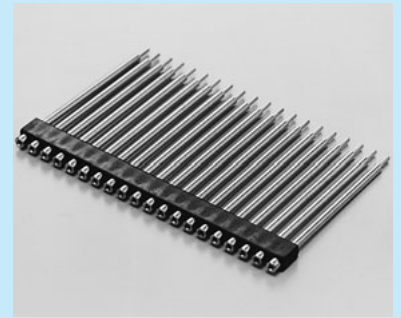
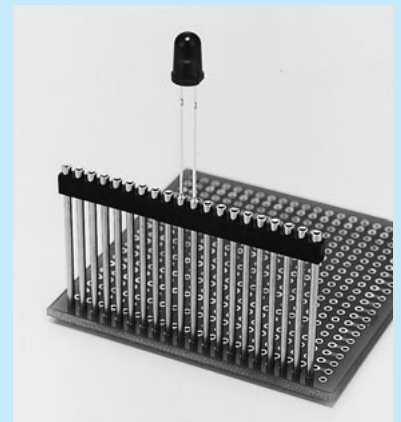


LED extension pin (connected type) [LFR series] (10pcs/pack)

- This is used when an LED leg length is short.
- This is connected with a pitch of 2.54 mm.
- Please put the LED leg in the hole and solder.
- Material
 - Resin part: PPS black(UL94V-0)
 - Metal part: Brass
- Finish: Gold plating over nickel base
- Rated current: 10A
- Rated voltage: 125V AC, DC
- Insulation resistance: 500 MΩ or over
- Withstand voltage: 1000V AC, DC per minute
- Operating temperature range: -40 to + 125 °C
- Adaptive LED leg diameter: ϕ 0.7 or less



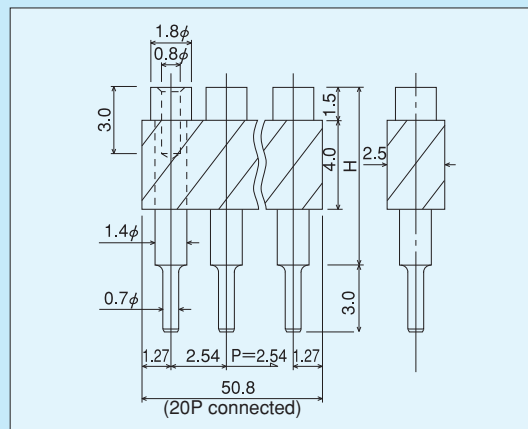
Example of usage



Part number

Part number	H
LFR-10	10
LFR-15	15
LFR-20	20
LFR-25	25
LFR-30	30

Dimension



How to order

LFR-10-10P



Please fill in the desired number of poles. (Maximum number: 20P)

* If the number of pins is not specified, we will deliver 20P.