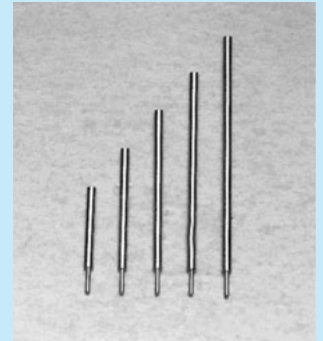
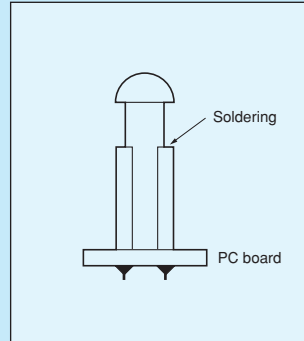


**LED extension pin [LF series] (1000pcs/pack)**

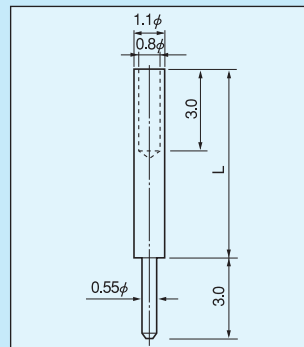
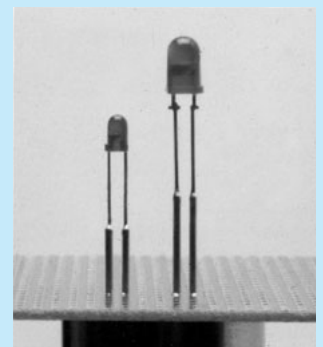
- This is used when an LED leg length is short, etc.
- Please put the LED in the hole and solder.
- Material: Brass
- Finish: Gold plating over nickel base
- Printed board fitting hole diameter:  $\phi$  0.6 to  $\phi$  0.7

**Part number**

Part number	L (mm)
LF-1-10	10
LF-1-15	15
LF-1-20	20
LF-1-25	25
LF-1-30	30



**Example of usage**



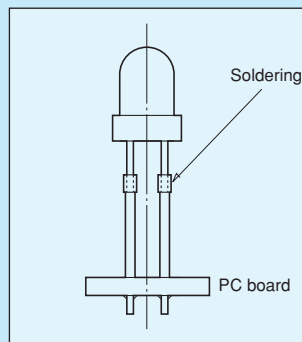
FOR LED

**LED extension pin (strong type) [LFF series] (1000pcs/pack)**

- The leg of this type is more difficult to be bent than LF type described above.
- This is used when an LED leg length is short, etc.
- Diameter of the LED leg that can be fit:  $\phi$  0.64 or less  
 $0.64 \square$  or less
- Material: Phosphor bronze
- Finish: Gold plating over nickel base
- PC board fitting hole diameter:  $\phi$  0.8

**Part number**

Part number	L (mm)
LFF-10	10
LFF-20	20
LFF-30	30



**Example of usage**

