

Vertical fitting socket for surface mounting [KCV-2-1-T]

- This is the automatic mounting type for fitting KC-2-1 vertically.
- It has an adsorption pin to adsorb KC-2-1. After reflow, please remove it.
- Adsorption pin: Material: Stainless steel

■ Specification

It is the same as KC-2-1.

■ Part number

Part number	Package
KCV-2-1-T	Reel (400pcs/reel)

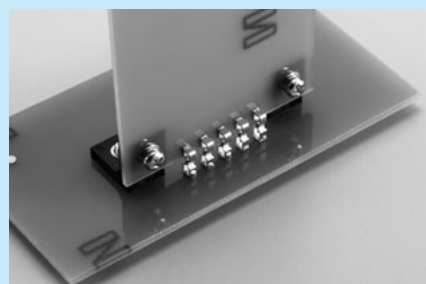
- Please use KC-2-1 to use by bulk package.



■ Example of usage

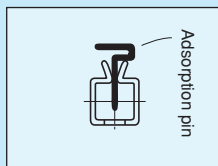
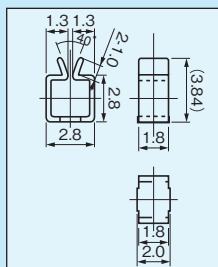
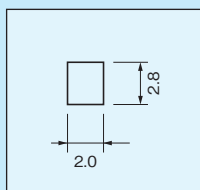


When KCV-2-1-T and KO-2-1 are combined

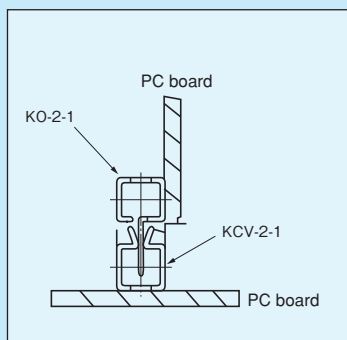


Example of reinforcement of the condition described above by using AXA-15-M3

■ Recommended land diameter



■ Example of usage



■ Instructions for use

As the strength is weak, please reinforce the PC board on KO-2-1 side with AXA-11-M2, AXA-15-M3, etc. to prevent the PC boards from moving.

