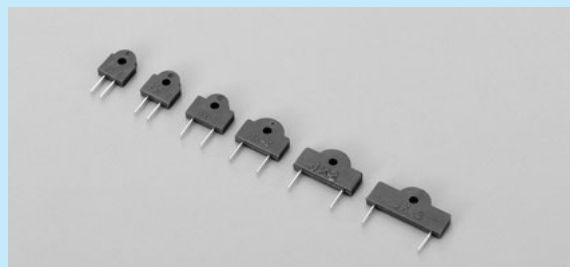


Jumper pin [JX series] (100pcs/pack)

- By combining with PD or PM series, easy turning ON/OFF is available.
- By combining with the IC socket, it can be used as the switch.
- Outside material: PBT resin red (UL-94V-0)
- Pin: Phosphorous bronze ϕ 0.5, Gold plating over nickel base
- Operating temperature range: -40 to $+125^{\circ}\text{C}$

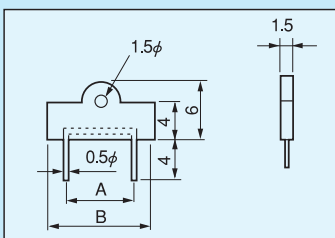
Part number	A	B	Adaptive socket pin
JX-1	2.54	5.54	PD-1
JX-2	7.62	10.62	PD-4
JX-3	10.16	13.16	PD-7
JX-4	5.08	8.08	PM-1
JX-5	2.0	5.0	PM-8
JX-6	4.0	7.0	PX-1
JX-11	See below		PC-10 etc.



■ Example of usage

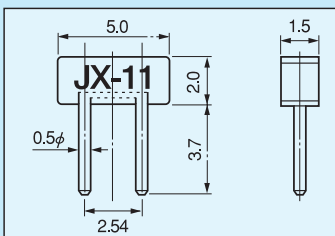
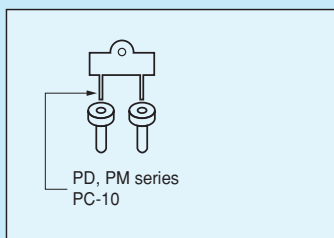


Dimension

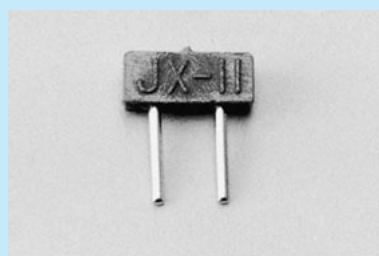


JX-1,2,3,4,5,6

Example of usage



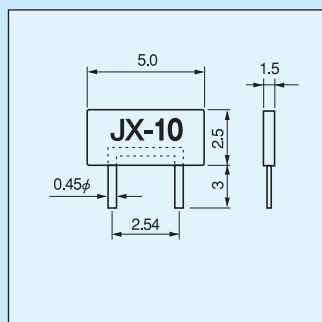
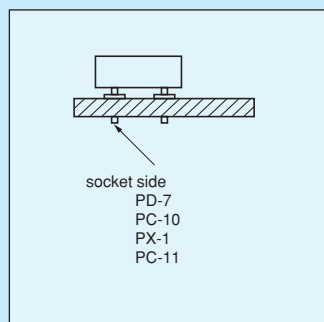
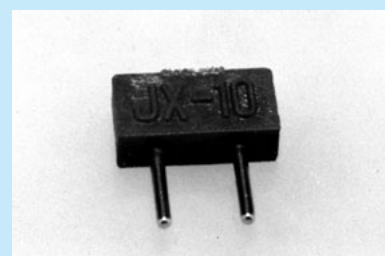
JX-11



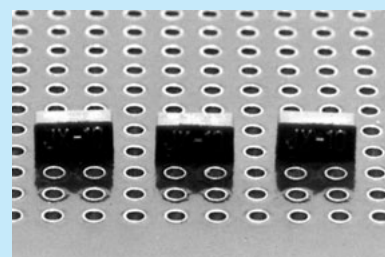
JX-11

Super-small jumper pin [Part number: JX-10] (100pcs/pack)

- By combining with PC-10 or PX-1, turning ON/OFF is available at the height of 2.5 mm on the board.
- This is the best solution for switching on a small high-density mounting board.
- Material Resin :PBT resin red (UL-94V-0)
- Pin: Phosphor bronze ϕ 0.45, Gold plating over nickel base
- Operating temperature range: -40 to $+125^{\circ}\text{C}$



JX-10



Part number	Adaptive socket pin
JX-10	PD-7,PC-10 PX-1,PC-11 etc.