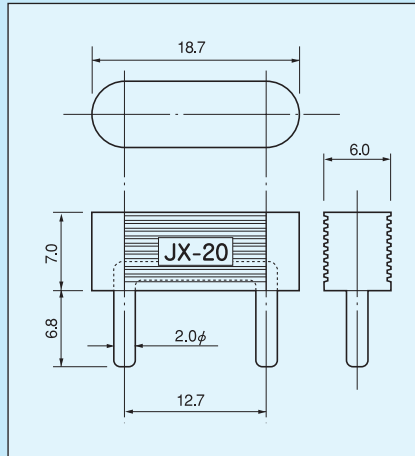


Switch jumper for power supply [Part number: JX-20] (100pcs/pack)

- By inserting the switch jumper socket (JX-20-SC) described below, the power supply circuit can be turned on.
- Material Resin part: PPS black (UL94V-0)
Pin part: Copper
- Finish: Gold plating over nickel base
- Rated current: 20A
- Insulation resistance: 500M Ω or over
- Withstand voltage: 1000V AC, DC per minute
- Operating temperature range: -40 to +125°C

■ Part number: JX-20



■ Example of usage



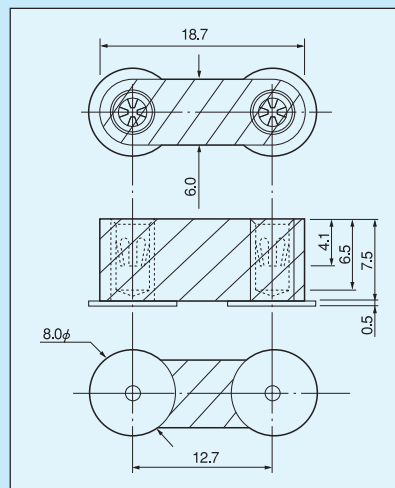
Combination of JX-20 and JX-20-SC

Socket for switch jumper for power supply [Part number: JX-20-SC]

- By inserting JX-20 described above, the power supply circuit can be turned on.
- Two types, separate type and taping type, are available.
- Material Resin part: PPS black (UL94V-0)
Pin part: Body: Brass
Contact: Beryllium copper
- Finish Body: Tin plating over nickel base
Contact: Gold plating over nickel base
- Rated current: 20A
- Insulation resistance: 500M Ω or over
- Withstand voltage: 1000V AC, DC per minute
- Operating temperature range: -40 to +125°C
- Adaptive male pin diameter: ϕ 1.7 to ϕ 2.1

■ Part number

Part number	Package
JX-20-SC	Bulk (100pcs/pack)
JX-20-SC-T	Taping (500pcs/reel)



■ Example of usage



Combination of JX-20-SC and JX-20

■ Dimension of the reel

