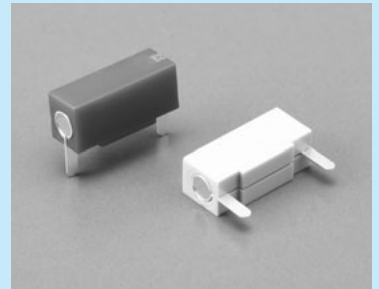
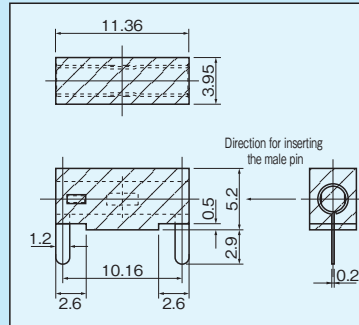


Jack for $\phi 2$ [Part number: JK-2] (10pcs/pack)

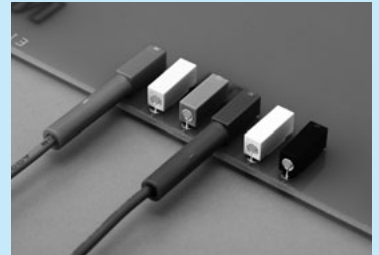
- Plug for $\phi 2$ can be inserted to this type of jack from the horizontal direction.
- JM-2 described below is adaptive for this type.
- This is used for checking of signal line, etc.
- Seven resin colors, black, red, yellow, green, blue, gray, and white, are available.
- Material Resin part: PPE (UL94V-1)
Contact part: Phosphor bronze
- Finish: Silver plating over copper base
- Rated current: 5A
- Adaptive male pin diameter: $\phi 2$
- Operating temperature range: -40 to $+85^{\circ}\text{C}$



Dimension



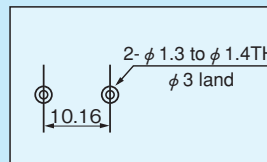
Example of usage



How to order

JK-2 White
 ↑
 Please specify the color.
 (Black, red, yellow, green, blue, gray or white)

Recommended land diameter

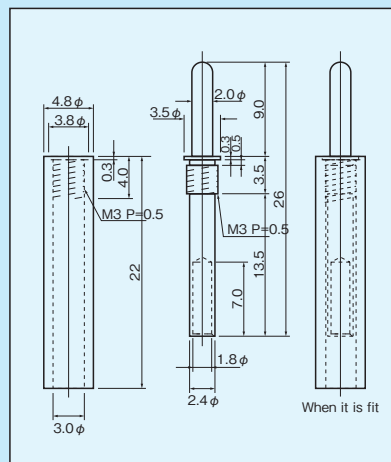


Plug for $\phi 2$ [Part number: JM-2] (10pcs/pack)

- This plug is for $\phi 2$.
- This is adaptive for JK-2 described above.
- Seven resin colors, black, red, yellow, green, blue, gray, and white, are available.
- Material Resin part: PPE (UL94V-1)
Metal part: Brass
- Finish: Nickel plating
- Rated current: 5A
- Electric wire diameter to use: Thinner than AWG16
- Operating temperature range: -40 to $+85^{\circ}\text{C}$



Dimension



How to order

JM-2 Red
 ↑
 Please specify the color.
 (Black, red, yellow, green, blue, gray or white)

Terminal for front panel check [Part number: PH-1] (1000pcs/pack)

- This is used for adjusting a PC board stored in a rack, etc. by hooking an oscilloscope probe or a tester lead from the front side.
- Material: Brass
- Finish: Gold plating over nickel base
- Printed board fitting hole diameter: $\phi 2.0$

