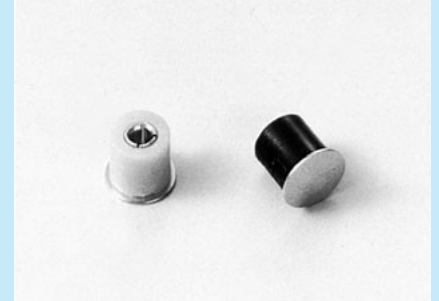


**Jack for surface mounting [Part number: JH-2-A] (200pcs/reel) (10pcs/pack)**

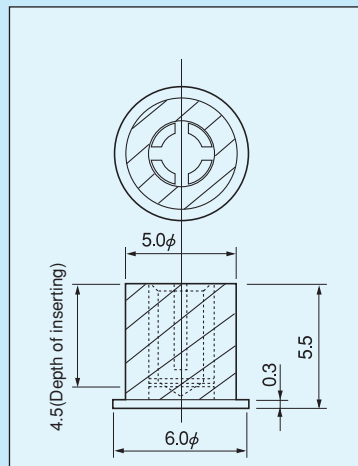
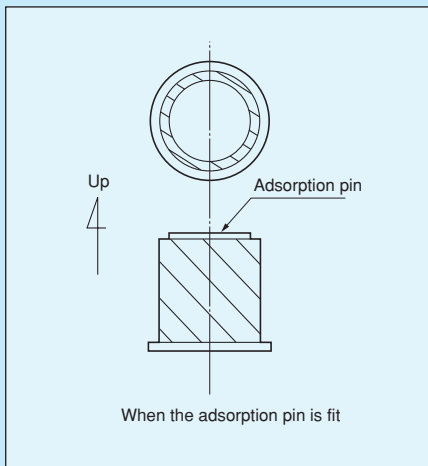
- A chip mounter can be used for this jack.
- The plug can be inserted from the vertical direction.
- This is adaptive for the plug of  $\phi 2.0$
- Plugs of OP-7-1, OP-7-2 and OP-7-2-100 (with electric wire) are available.
- Material Socket part: Phosphor bronze  
Resin part: Fluorine (UL94V-0)
- Finish: Gold plating over nickel base
- Resin color: Black, red, yellow, green, blue, white
- Adaptive male pin diameter:  $\phi 2.0$
- Insertion forces: 800g or less
- Removal forces: 100g or over



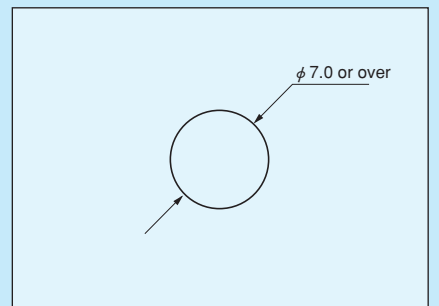
**Example of usage**



Combination of JH-2 and OP-7-2-100



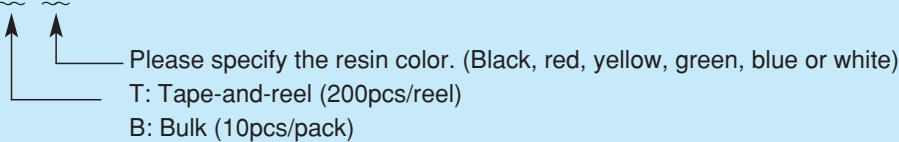
**Recommended land diameter**



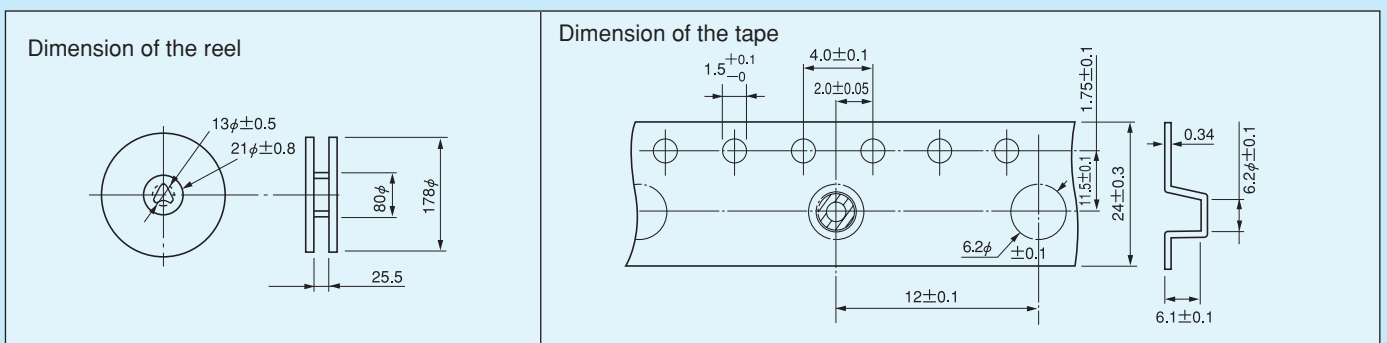
- Insertion / removal frequency: 1000 times or over
- Rated current: 10A
- Contact resistance: 20mΩ or less
- Insulation resistance: 1000MΩ or over
- Withstand voltage: 1000V AC, DC per minute
- Operating temperature range: -55 to +200°C washing.
- Instructions for use  
As the adsorption pin is attached to the taping product, please pull out the adsorption pin after reflow prior to washing.

**How to order**

JH-2-A-T Red



\* In order to increase the strength of the fluorine part, the conventional mold has been changed to the cutting type. (Part number: JH-2-A) (The dimensions, etc. are same as those of the conventional one.)



For surface mounting