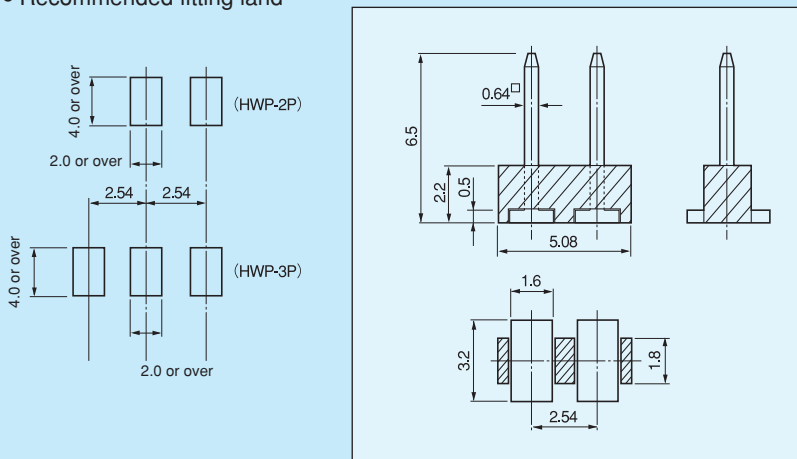


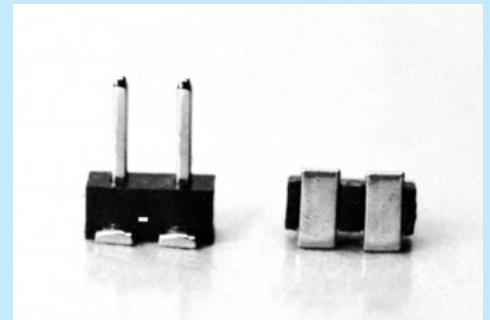
Wrapping terminal for surface mounting [HWP-2P, 3P series] (100pcs/pack)

- This wrapping terminal can stand on a surface mounting board.
- 2 pins / 3 pins are connected.
- By inserting / pulling out the jumper socket [JS-1], this terminal can be used as a substitute for a switch.
- Reflow can be used for this type.
- Operating temperature range: -40 to +125°C
- Material
 - Pin part: Brass
 - Resin part: PPS black (UL94V-0)
- Rated current: 3A
- Insulation resistance: 500MΩ or over
- Withstand voltage: 1000V AC, DC per minute
- Recommended fitting land



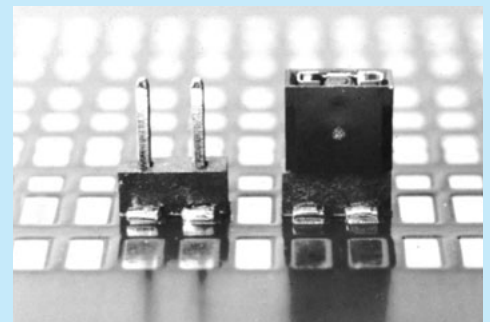
Part number	Finish	Package	Packing quantity
HWP-2P-G	Gold plating over nickel base	Bulk	100pcs/pack
HWP-2P-G-M	Gold plating over nickel base	Magazine	100 pieces are included.
HWP-2P-G-T	Gold plating over nickel base	Reel	1200pcs/pack
HWP-2P-S	Tin plating over nickel base	Bulk	100pcs/pack
HWP-2P-S-M	Tin plating over nickel base	Magazine	100 pieces are included.
HWP-2P-S-T	Tin plating over nickel base	Reel	1200pcs/reel
HWP-3P-G	Gold plating over nickel base	Bulk	100pcs/pack
HWP-3P-G-M	Gold plating over nickel base	Magazine	70 pieces are included.
HWP-3P-G-T	Gold plating over nickel base	Reel	1200pcs/reel
HWP-3P-S	Tin plating over nickel base	Bulk	100pcs/pack
HWP-3P-S-M	Tin plating over nickel base	Magazine	70 pieces are included.
HWP-3P-S-T	Tin plating over nickel base	Reel	1200pcs/reel

HWP-2P

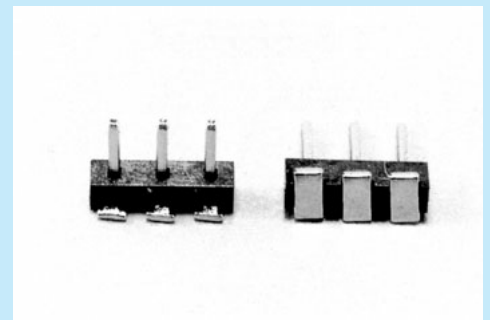


Example of usage

- When JS-1 is used

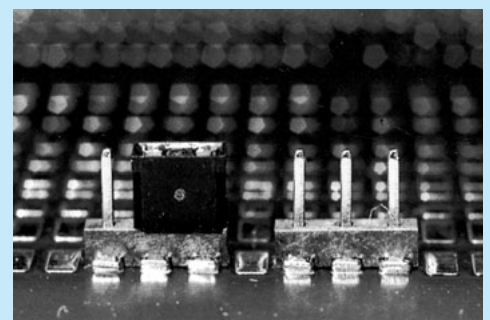


HWP-3P



Example of usage

- When JS-1 is used



For surface mounting