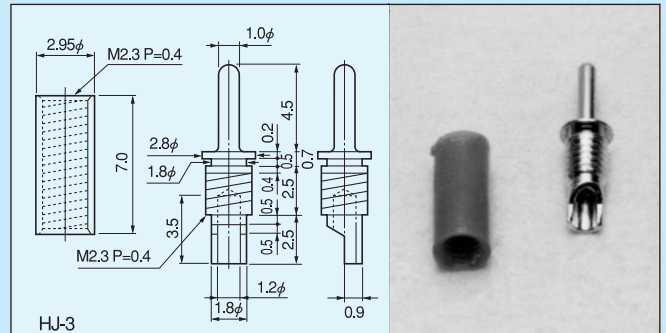


Male pin for HH-3 [Part number: HJ-3, HJ-31] (10pcs/pack)

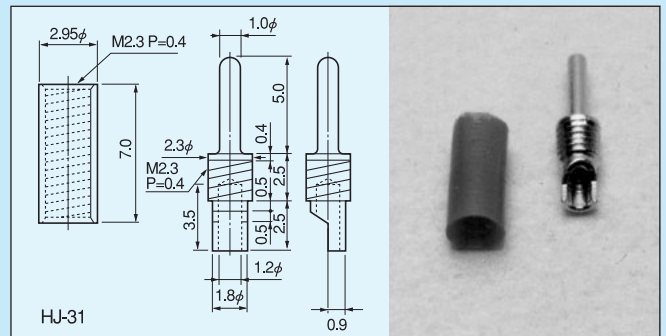
- This male pin is used for the power supply connector for surface mounting (HH-3 series).
- HJ-3 is for using the metal lock fitting (HH-3-R).
- HJ-31 is for not using a metal lock fitting.
- Please solder and fit the electric wire.
- The six resin colors, black, red, yellow, green, blue and white, are available.
- Material Pin part: Brass
- Resin part: Acetal copolymer (UL94HB)
- Finish: Gold plating over nickel base
- Rated current: 5A
- Electric wire diameter that can be fit: Thinner than AWG20

How to order

HJ-3 Red
 ↑
 Please specify the color.
 (Black, red, yellow, green, blue or white)



HJ-3

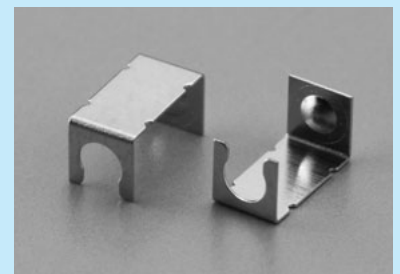
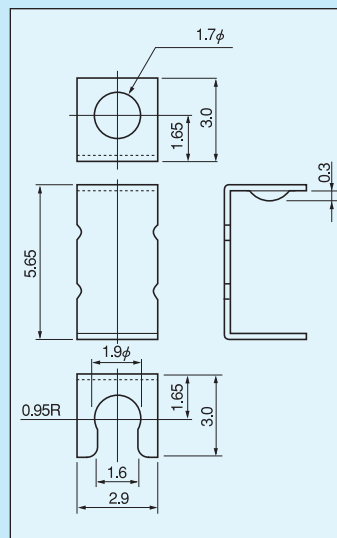


HJ-31

Metal lock fitting for HH-3 [Part number: HH-3-R] (100pcs/pack)

- This product is a metal fitting for prevent the male pin (HJ-3) attached to the power supply connector for surface mounting (HH-3 series) from being taken off.
- This is used to prevent a pin from being taken off on a place with vibration and to increase the reliability.
- Material: Beryllium copper
- Finish: Nickel plating

Part number:HH-3-R



Example of usage

