

**Male pin for HH-1 [Part number: HJ-1] (100pcs/pack)**

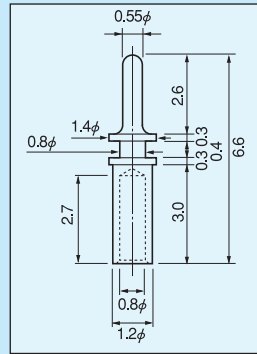
- This male pin is used for the connector for surface mounting (HH series).
- By crimping electric wire to this product and mounting it to HH series, signal can be taken out from a board for surface mounting.
- There is no problem even if a pin contacts with the next pin, as long as the shrinkage tube for HJ-1 (HJ-T) is fit to this product.

- Material: Brass
- Finish: Gold plating over nickel base
- Electric wire diameter that can be fit: Thinner than AWG26
- Rated current: 2A

■ Part number:HJ-1

- Crimping tool: Part number: OMXT-1
- Edge bracket for HJ-1: Part number: X-7

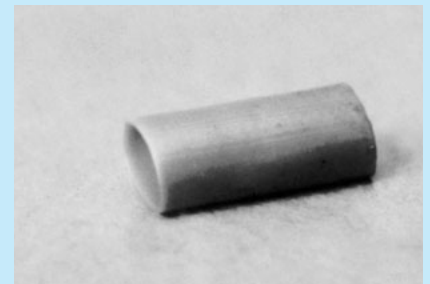
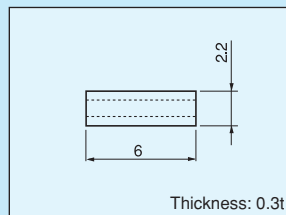
) Please purchase both products.



**Shrinkage tube for HJ-1 [Part number: HJ-T] (100pcs/pack)**

- This shrinkage tube is fit to the pin of HJ-1.
- Please shrink the tube by applying heat by a dryer after fitting it to the pin.
- Material: Silicon rubber
- Color: Gray
- Operating temperature range: -50 to +150°C

■ Part number:HJ-T

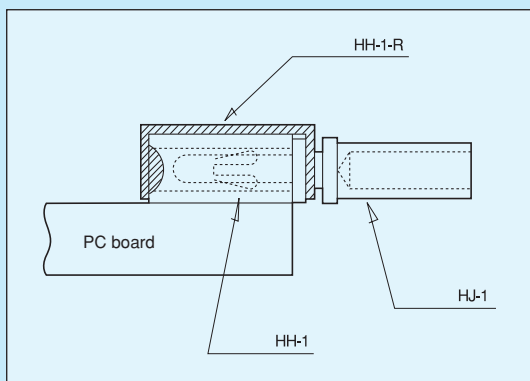


**Metal lock fitting for HH-1 [Part number: HH-1-R] (100pcs/pack)**

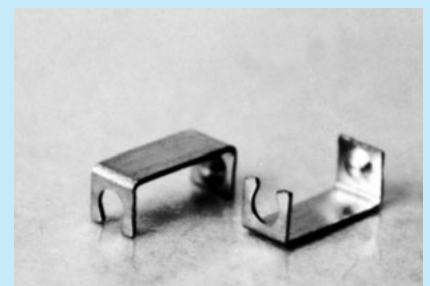
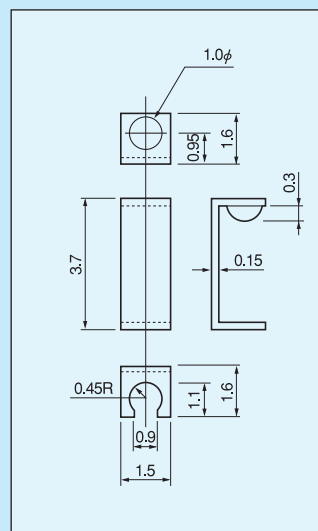
- This product is a metal fitting for prevent the male pin (HJ-1) attached to the connector for surface mounting (HH-1 series) from being taken off.
- This is used to prevent a pin from being taken off on a place with vibration and to increase the reliability.
- This can be used for fitting the HH-1 in the horizontal direction.

- Material: Beryllium copper
- Finish: Nickel plating

■ Part number:HH-1-R



How to use the metal lock fitting (HH-1-R)



■ Example of usage

