

Power supply connector for surface mounting [HH-3 series]

- This connector is used for supplying power to a surface mounting board.
- The male side is HJ-3 and HJ-31.
- By using HH-3-R (metal lock fitting) for HJ-2, it will not be taken off even if it is pulled.
- Two types, a type with magazine and a type with embossed tape, are available.

• Material

Body: Brass

Contact part: Beryllium copper

• Finish

HH-3-G:Body: Gold plating over nickel base

HH-3-S:Body:Contact part: Gold plating over nickel base

Body: Tin plating over nickel base

Contact part: Gold plating over nickel base

• Specification

Rated current: 5A

Contact resistance:10mΩ or less

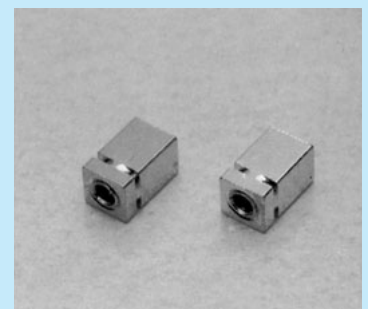
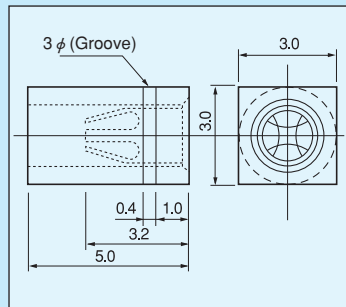
Insertion/removal frequency: 100 times or over

Insertion forces: 150g or over

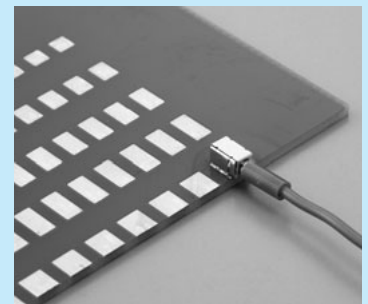
Removal forces: 150g or over

Adaptive male pin diameter: φ 0.8 to φ 1.0

Operating temperature range: -40 to +125°C

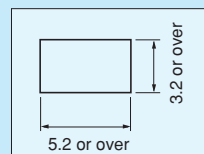


■ Example of usage



When HJ-3 and HH-3-R (metal lock fitting) are used

■ Recommended land diameter

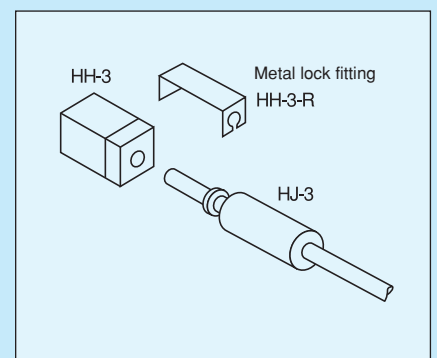


■ Part number

Part number	Package
HH-3-G	Magazine (100pcs/pack)
HH-3-G-T	Reel (500pcs/reel)
HH-3-S	Magazine (100pcs/pack)
HH-3-S-T	Reel (500pcs/reel)

■ Instructions for use

- Please be careful of the direction for inserting the pin.
The groove side is the direction for inserting the male pin.



For surface mounting

