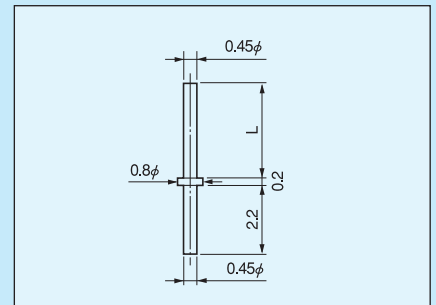
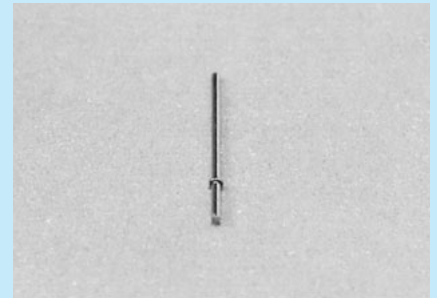


Terminal for hybrid IC [CM series] (1000pcs/pack)

- Please use this for a leg of hybrid IC, etc.
- As it has a leg of $\phi 0.45$, it can be inserted into a normal round pin socket.
- Material: Phosphor bronze
- Finish: Gold plating over nickel base
- Rated current: 3A
- Printed board fitting hole diameter: $\phi 0.5$

Part number	L
CM-1- 1	2.2
CM-1- 2	3.0
CM-1- 3	3.5
CM-1- 4	4.0
CM-1- 5	4.5
CM-1- 6	5.0
CM-1- 7	6.0
CM-1- 8	7.0
CM-1- 9	8.0
CM-1-10	9.0
CM-1-11	10.0

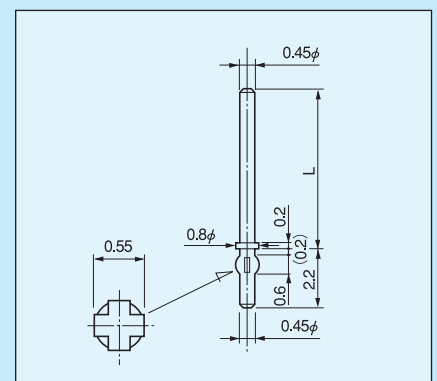


For hybrid IC

Terminal for hybrid IC [CF series] (1000pcs/pack)

- Please use this for a leg of hybrid IC, etc.
- As it has a recessed portion, temporary fixing can be done before soldering.
- As it has a leg of $\phi 0.45$, it can be inserted into a normal round pin socket.
- Material: Kovar
- Finish: Gold plating over nickel base
- Rated current: 2A
- Printed board fitting hole diameter: $\phi 0.5$
- Press-fitting tool Main unit: PCX-1
Edge chip:P-24

Part number	L
CF-1- 3	3
CF-1- 4	4
CF-1- 5	5
CF-1- 8	8
CF-1-10	10
CF-1-15	15
CF-1-20	20



* Without the press-fitting tool, you can insert the terminal by pushing it with your hand.