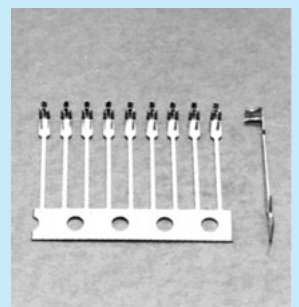
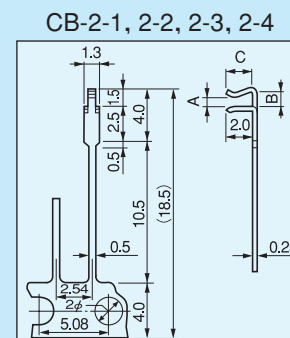
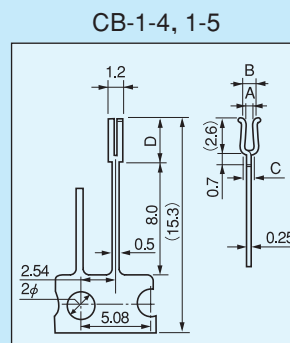
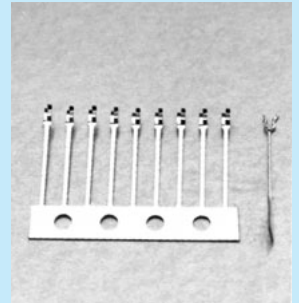
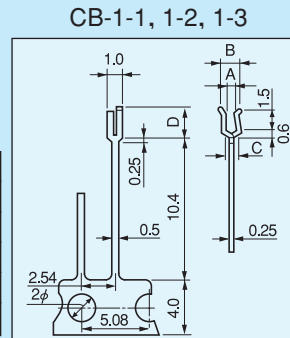


Terminal for hybrid IC [CB series] [Pitch: 2.54 mm] (1000pcs/reel)

- This terminal is to be sandwiched between PC boards.
- As this is supplied in the reel form with a pitch of 2.54 mm, please cut it after fitting.
- Material: Phosphor bronze
- Finish: Tin plating over nickel base
- * After sandwiching it, please carry out soldering.

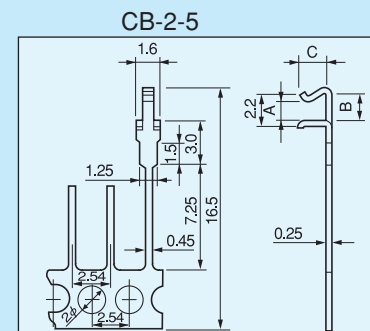
Part number	A	B	C	D	Printed board thickness
CB-1-1	0.6	1.1	0.8	2.4	0.635
CB-1-2	0.7	1.3	1.0	2.4	0.8
CB-1-3	0.9	1.5	1.2	2.1	1.0
CB-1-4	1.1	1.8	1.5	3.3	1.2
CB-1-5	1.5	2.2	1.8	3.3	1.6

- The adaptive sandwiching tool is the Part number CBX-100



Part number	A	B	C	Printed board thickness
CB-2-1	0.55	0.8	2.0	0.635
CB-2-2	0.7	1.0	1.85	0.8
CB-2-3	0.9	1.2	1.65	1.0
CB-2-4	1.0	1.4	1.5	1.2
CB-2-5	1.4	1.8	2.0	1.6

- The adaptive sandwiching tool is the Part number CBX-200



For hybrid IC