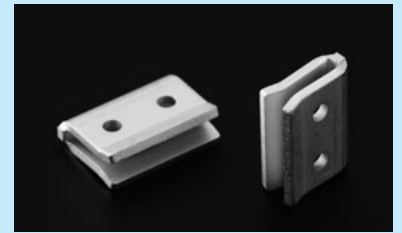


Terminal for fixing PC boards in parallel [BT series] (100pcs/pack)

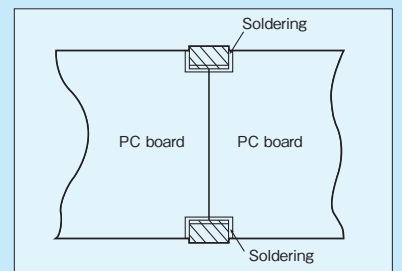
- This terminal can fix two PC boards in parallel.
- Please fit it to the two PC boards and solder.
- This is adaptive for the PC board with the thickness of 1.0t and 1.6t.
- Material: Phosphor bronze
- Finish: Tin plating over nickel base
- Rated current: 30A



■ Example of usage



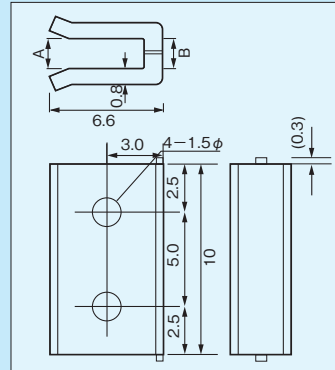
■ Example of usage



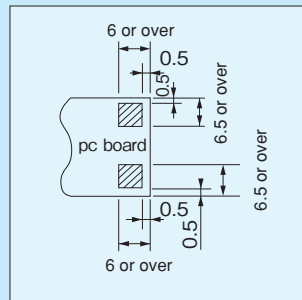
Fit and solder

■ Part number

Part number	A	B	Adaptive printed board thickness
BT-10-1.0	0.9	1.1	1.0t
BT-10-1.6	1.5	1.7	1.6t

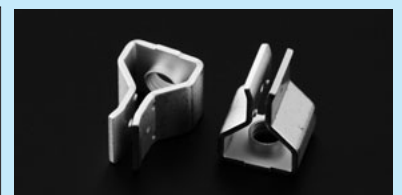


■ Recommended land diameter

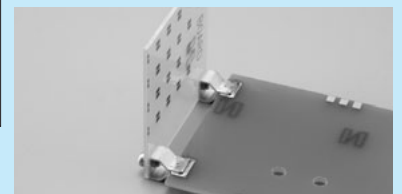


Terminal for fitting PC boards at right angle [BE series] (100pcs/pack)

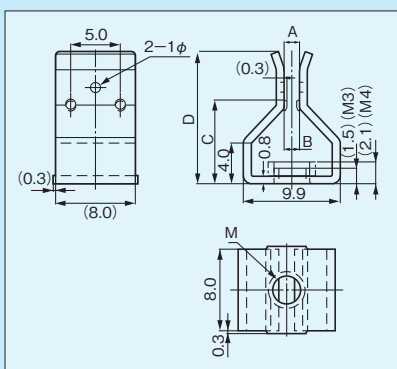
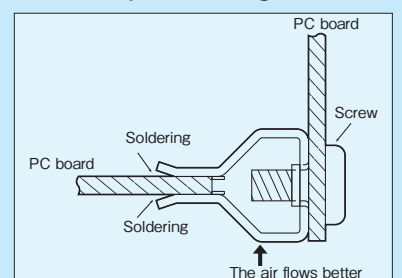
- This metal fitting is used for fitting a PC board to a surface mounting board at right angle.
- As there is a space created between the boards, the air flows better.
- Fit and solder to a board on one side to fix. Then, fix to another board with a screw.
- Material: Phosphor bronze
- Finish: Tin plating over nickel base



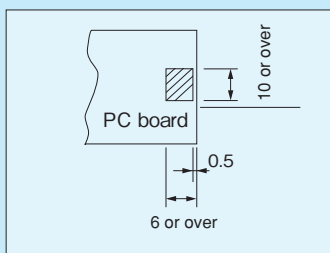
■ Example of usage



■ Example of usage



■ Recommended land diameter



■ Part number

M3 P=0.5

M4 P=0.7

Part number	A	B	C	D	M	Adaptive printed board thickness
BE-1.6-M3	1.5	1.6	8.2	13.0	M3	1.6t
BE-1.6-M4	1.5	1.6	8.2	13.0	M4	1.6t
BE-2.0-M3	1.9	2.0	8.3	13.0	M3	2.0t
BE-2.0-M4	1.9	2.0	8.3	13.0	M4	2.0t
BE-3.2-M3	3.1	3.2	8.6	13.3	M3	3.2t
BE-3.2-M4	3.1	3.2	8.6	13.3	M4	3.2t