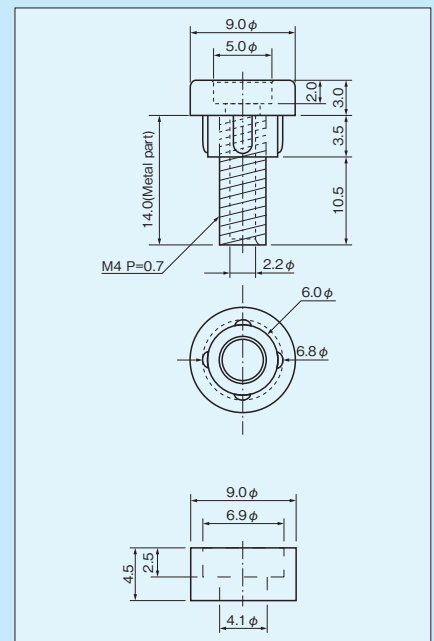


Jack for soft plug [BQ-2 series] (10pcs/pack)

- This jack can be fit to a panel.
- This is used as the insertion side of BJ-2 series.
- Seven colors, black, red, yellow, green, blue, gray, and white, are available.
- Material
 - Metal part: Brass
 - Resin part: Main body, Fitting bracket: PPE (UL94V-1)
 - Color: Main body: Black, red, yellow, green, blue, gray and white
 - Fitting bracket: Black only
- Finish
 - BQ-2-G: Main body: Gold plating over nickel base (Contact part)
 - Other: Nickel plating
 - BQ-2-N: Main body: Nickel plating (Contact part)
 - Other: Nickel plating
- Rated current: 10A
- Insulation resistance: 500M Ω or over
- Withstand voltage: 1000V AC, DC per minute
- Adaptive plug: BJ-2 series
- Operating temperature range: -40 to +125°C
- Panel fitting hole diameter: ϕ 7.0
- Thickness of panel that can be fit: 1.2 mm to 3.0 mm

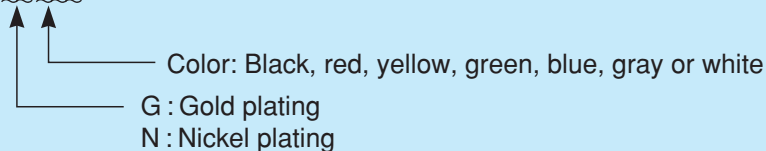


Dimension



How to order

BQ-2-G-Red



Instructions for use

Please use with the tightening torque of 3kg.f.cm (29.4 N.cm) or less when fitting.